

A SERIES

INTERCHANGE > ISO 16028 - NFPA T3.20.15 - HTMA (size 3/8")















Stucchi®

FLAT FACE



TECHNICAL FEATURES AND OPTIONS

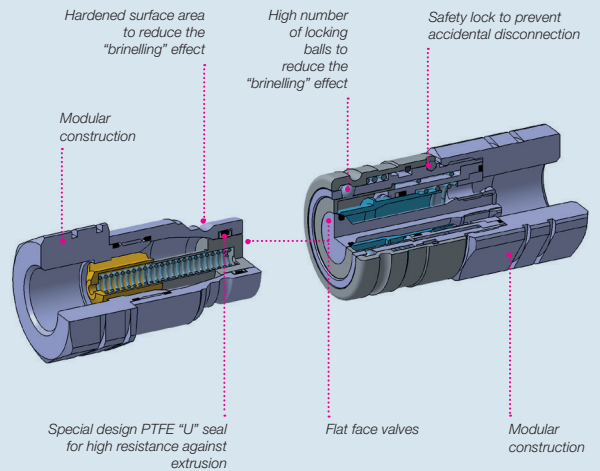
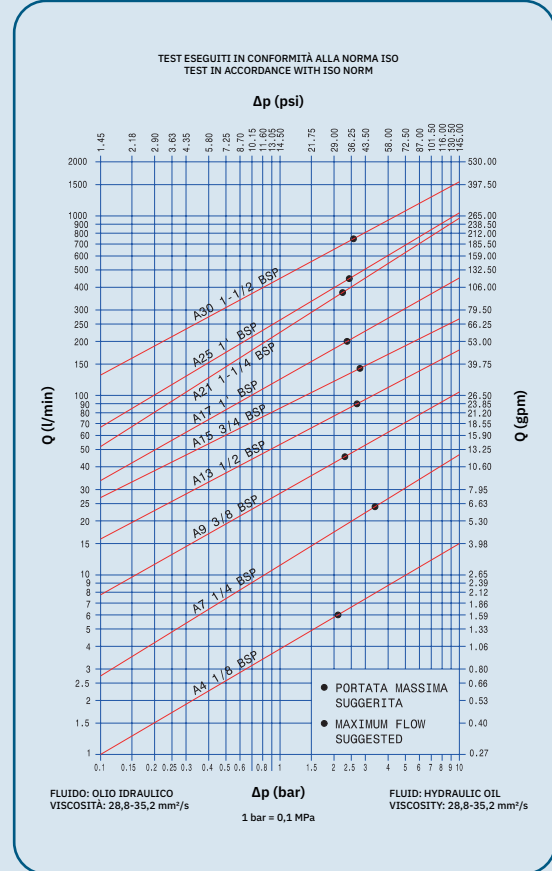
| | | |
|---|---|---|
|  Interchange ISO 16028 NFPA T3.20.15 HTMA (size 3/8") |  Sealing description Nitrile NBR |  Connection system Push |
|  Available sizes from 1/8" to 1-1/2" |  Material/treatment Carbon steel/ Cr3 (Zn-Ni version available) |  Available threads BSP - NPT - SAE ORFS - METRIC - JIC |
|  Operating pressure Up to 420 bar |  Locking mechanism Locking ball + Safety Lock |  Flow rate Up to 750 l/min |
|  Temperature (°C) -20° / +100° |  Valving style Flat face |  Connection under pressure Connection: not allowed Disconnection: not allowed |

BENEFITS

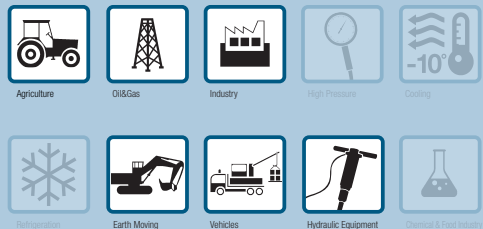
- Flat face is easy to clean, reducing the inclusion of contamination inside the hydraulic circuit.
- Minimal fluid spillage during disconnection, reducing fluid spillage to the environment.
- Minimal air inclusion during connection.
- Internal valve design creates minimal pressure drop, maintaining circuit efficiency in the system
- The modular design allows flexibility with a wide range of configurations.
- Good resistance to pressure impulses.
- Compact slim design.
- Safe and simple to use.

HOW TO USE

- Before to connect, clean the mating surface of the couplings to avoid dirt inclusion in the circuit.
- To connect push the male half towards the female half or vice versa.
- After connection turn the external sleeve to engage safety lock function, to prevent accidental disconnection.
- To disconnect turn the external sleeve until the sleeve lock notch match the safety lock ball and push back the sleeve.



MAIN APPLICATIONS



PERFORMANCES

| Size | | Series/Size | Max. flow suggested | | Connect force | | Disconnect force | | Spillage* |
|-------|----------|-------------|---------------------|--------|---------------|-------|------------------|-------|-----------|
| Inch | mm (ISO) | | l/min | gpm | N | lbf | N | lbf | ml |
| 1/8 | - | A4 | 6 | 1,59 | 120 | 27,00 | 25 | 5,63 | - |
| 1/4 | 6,3 | A7 | 24 | 6,36 | 150 | 33,75 | 45 | 10,13 | 0,01 |
| 3/8 | 10,0 | A9 | 46 | 12,19 | 170 | 38,25 | 40 | 9,00 | 0,01 |
| 1/2 | 12,5 | A13 | 90 | 23,85 | 190 | 42,75 | 50 | 11,25 | 0,02 |
| 5/8 | 16,0 | A15 | 148 | 39,22 | 190 | 42,75 | 55 | 12,38 | 0,02 |
| 3/4 | 19,0 | A17 | 200 | 53,00 | 220 | 49,50 | 70 | 15,75 | 0,03 |
| 1 | 25,0 | A21 | 378 | 100,17 | 250 | 56,25 | 75 | 16,88 | 0,03 |
| 1-1/4 | - | A25 | 450 | 119,25 | 350 | 78,75 | 90 | 20,25 | 0,17 |
| 1-1/2 | - | A30 | 750 | 198,75 | 390 | 87,75 | 70 | 15,75 | 0,05 |

| Size | Series/Size | Max. operating pressure | | | | | | Burst pressure | | | | | |
|-------|-------------|-------------------------|------|------|------|--------|------|----------------|-------|------|-------|--------|-------|
| | | Coupled | | Male | | Female | | Coupled | | Male | | Female | |
| Inch | | MPa | psi | MPa | psi | MPa | psi | MPa | psi | MPa | psi | MPa | psi |
| 1/8 | A4 | 42 | 6090 | 42 | 6090 | 42 | 6090 | 126 | 18270 | 126 | 18270 | 126 | 18270 |
| 1/4 | A7 | 42 | 6090 | 42 | 6090 | 42 | 6090 | 126 | 18270 | 126 | 18270 | 126 | 18270 |
| 3/8 | A9 | 35 | 5075 | 35 | 5075 | 35 | 5075 | 100 | 14500 | 100 | 14500 | 100 | 14500 |
| 1/2 | A13 | 33 | 4785 | 33 | 4785 | 33 | 4785 | 100 | 14500 | 100 | 14500 | 100 | 14500 |
| 5/8 | A15 | 33 | 4785 | 33 | 4785 | 33 | 4785 | 100 | 14500 | 100 | 14500 | 100 | 14500 |
| 3/4 | A17 | 33 | 4785 | 33 | 4785 | 33 | 4785 | 100 | 14500 | 100 | 14500 | 100 | 14500 |
| 1 | A21 | 30 | 4350 | 30 | 4350 | 30 | 4350 | 80 | 11600 | 80 | 11600 | 80 | 11600 |
| 1-1/4 | A25 | 30 | 4350 | 30 | 4350 | 30 | 4350 | 80 | 11600 | 80 | 11600 | 80 | 11600 |
| 1-1/2 | A30 | 27 | 3915 | 27 | 3915 | 27 | 3915 | 80 | 11600 | 80 | 11600 | 70 | 10150 |

* Spillage is an indicative value of the fluid loss during disconnection (according to ISO norm test method).

Different possible configurations:
Different threads available upon request.

Temperature range:

Standard seals NBR (Nitrile): from -20 °C to +100 °C (from -4 °F to +212 °F).
Upon request seals in VITON®: from -15°C to +180°C (from +5 °F to +356 °F).
Please read carefully Instructions and warnings for proper selection of the products.

Tests:

The couplings have been tested at max. operating pressure for 100.000 impulses according to ISO norm.

! WARNING

A defect, a wrong choice or an improper use of products, can cause injury to persons, animals and objects.

Never connect or disconnect with dynamic pressure (e.g. pump on).

Do not use the female coupling disconnected with high impulse pressure.

Do not couple-uncouple with flow and/or pressure in the circuit.

Do not couple-uncouple when the temperature inside of the circuit is higher than 80 °C (176 °F).

Check the maximum allowable working pressure of the port in use.

Make sure that the medium used is compatible with seal and material as indicated for each series.

In case of doubt please contact Stucchi Technical Support.

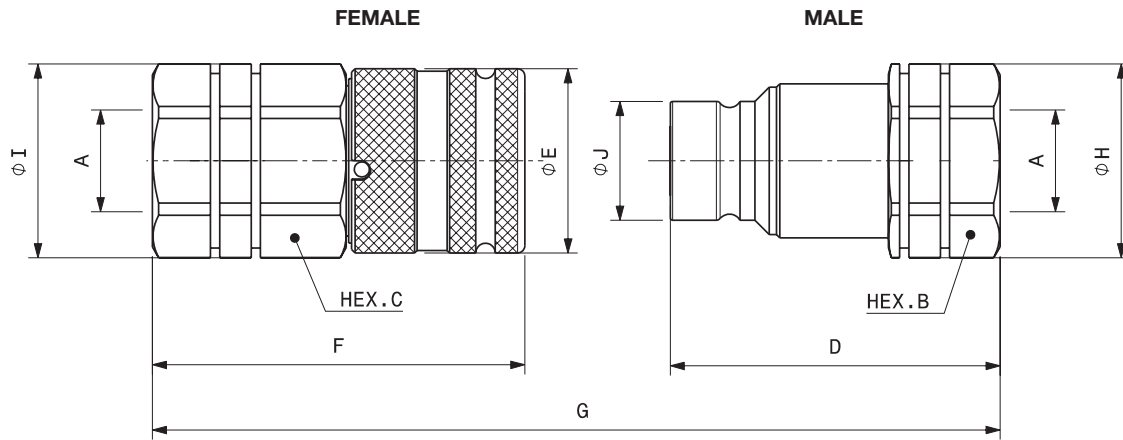
The interchangeability is mentioned under the assumption that the manufacturer of the considered products has not changed any dimension.

It is mandatory to carefully read and closely follow the instructions before selecting or using any Stucchi products.

Always refer to the version uploaded in the Instructions and warning section of stucchigroup.com website for the latest release.

For specific, product-related, instructions, please contact Stucchi technical service.

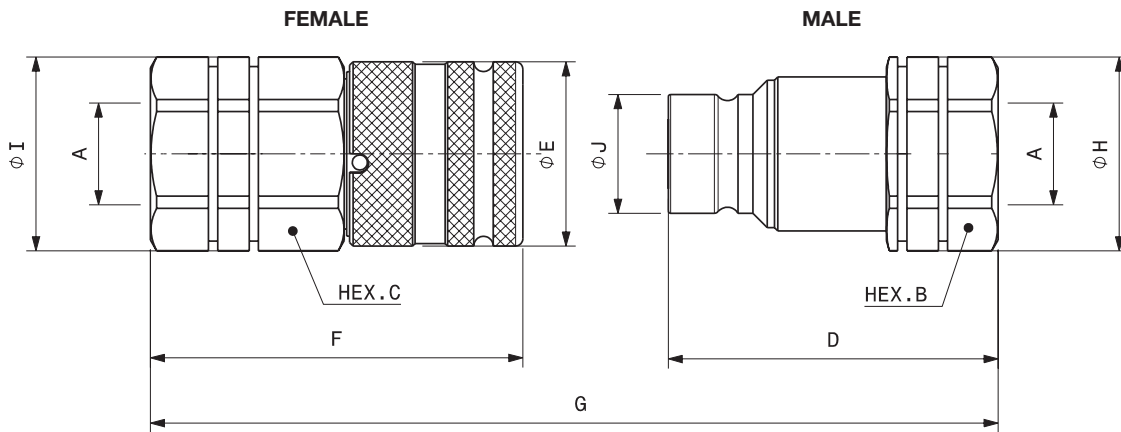
OVERALL DIMENSIONS



Port description: FEMALE THREAD BSPP (ISO 1179-1)

| BODY SIZE | Descriptive Code | Item Code | ISO DN | PORT (A) | Overall Length | Length | | Hex | | Diameter | | Diameter | | Weight | | | | | | | |
|-----------|------------------|-------------------|--------|----------|----------------|--------|------|-----|-------|----------|------|----------|------|--------|------|------|-----|------|------|------|------|
| | | | | | | mm | inch | mm | inch | mm | inch | mm | inch | mm | inch | Kg | Lbs | | | | |
| 1/8" | F A4 1/8 BSP | Female 801300002 | - | 1/8" | G | 68,4 | 2,69 | F | 40,0 | 1,57 | C | 19,0 | 0,75 | I | 20,5 | 0,81 | E | 20,0 | 0,79 | 0,07 | 0,16 |
| | M A4 1/8 BSP | Male 801300003 | | | | | | D | 36,3 | 1,43 | B | 17,0 | 0,67 | H | 18,5 | 0,73 | J | 11,6 | 0,46 | 0,04 | 0,08 |
| 1/4" | F A7 1/4 BSP | Female 801300004 | 6,3 | 1/4" | G | 90,2 | 3,55 | F | 53,1 | 2,09 | C | 27,0 | 1,06 | I | 29,0 | 1,14 | E | 28,0 | 1,10 | 0,19 | 0,41 |
| | M A7 1/4 BSP | Male 801300031 | | | | | | D | 47,9 | 1,89 | B | 22,0 | 0,87 | H | 23,8 | 0,94 | J | 16,1 | 0,63 | 0,09 | 0,19 |
| 3/8" | F A9 3/8 BSP | Female 801300006 | 10 | 3/8" | G | 108,8 | 4,28 | F | 64,8 | 2,55 | C | 30,0 | 1,18 | I | 32,0 | 1,26 | E | 32,0 | 1,26 | 0,27 | 0,60 |
| | M A9 3/8 BSP | Male 801300005 | | | | | | D | 60,0 | 2,36 | B | 27,0 | 1,06 | H | 29,0 | 1,14 | J | 19,7 | 0,78 | 0,15 | 0,32 |
| 3/8" | F A9 1/2 BSP | Female 801300008 | 10 | 1/2" | G | 116,3 | 4,58 | F | 69,8 | 2,75 | C | 30,0 | 1,18 | I | 32,0 | 1,26 | E | 32,0 | 1,26 | 0,28 | 0,61 |
| | M A9 1/2 BSP | Male 801300007 | | | | | | D | 62,5 | 2,46 | B | 27,0 | 1,06 | H | 29,0 | 1,14 | J | 19,7 | 0,78 | 0,14 | 0,30 |
| 1/2" | F A13 1/2 BSP | Female 801300014 | 12,5 | 1/2" | G | 127,5 | 5,02 | F | 76,8 | 3,02 | C | 36,0 | 1,42 | I | 40,0 | 1,57 | E | 38,0 | 1,50 | 0,45 | 1,00 |
| | M A13 1/2 BSP | Male 801300013 | | | | | | D | 68,0 | 2,68 | B | 36,0 | 1,42 | H | 40,0 | 1,57 | J | 24,5 | 0,96 | 0,24 | 0,52 |
| 1/2" | F A13 3/4 BSP | Female 801300016 | 12,5 | 3/4" | G | 137,0 | 5,39 | F | 83,8 | 3,30 | C | 36,0 | 1,42 | I | 40,0 | 1,57 | E | 38,0 | 1,50 | 0,46 | 1,02 |
| | M A13 3/4 BSP | Male 801300015 | | | | | | D | 70,5 | 2,78 | B | 36,0 | 1,42 | H | 40,0 | 1,57 | J | 24,5 | 0,96 | 0,27 | 0,60 |
| 5/8" | F A15 3/4 BSP | Female 801300022 | 16 | 3/4" | G | 139,4 | 5,49 | F | 84,0 | 3,31 | C | 41,0 | 1,61 | I | 44,8 | 1,76 | E | 42,0 | 1,65 | 0,63 | 1,38 |
| | M A15 3/4 BSP | Male 801300021 | | | | | | D | 73,0 | 2,87 | B | 36,0 | 1,42 | H | 38,5 | 1,52 | J | 27,0 | 1,06 | 0,30 | 0,66 |
| 5/8" | F A15 1 BSP | Female 801300034 | 16 | 1" | G | 145,4 | 5,72 | F | 87,0 | 3,43 | C | 41,0 | 1,61 | I | 44,8 | 1,76 | E | 42,0 | 1,65 | 0,60 | 1,32 |
| | M A15 1 BSP | Male 801300035 | | | | | | D | 76,0 | 2,99 | B | 41,0 | 1,61 | H | 44,8 | 1,76 | J | 27,0 | 1,06 | 0,33 | 0,73 |
| 3/4" | F A17 3/4 BSP | Female 801300040 | 19 | 3/4" | G | 158,5 | 6,24 | F | 96,8 | 3,81 | C | 46,0 | 1,81 | I | 49,8 | 1,96 | E | 48,0 | 1,89 | 0,97 | 2,14 |
| | M A17 3/4 BSP | Male 801300041 | | | | | | D | 83,7 | 3,30 | B | 46,0 | 1,81 | H | 49,8 | 1,96 | J | 30,0 | 1,18 | 0,53 | 1,16 |
| 3/4" | F A17 1 BSP | Female 801300000 | 19 | 1" | G | 160,5 | 6,32 | F | 98,8 | 3,89 | C | 46,0 | 1,81 | I | 49,8 | 1,96 | E | 48,0 | 1,89 | 0,94 | 2,07 |
| | M A17 1 BSP | Male 801300001 | | | | | | D | 83,7 | 3,30 | B | 46,0 | 1,81 | H | 49,8 | 1,96 | J | 30,0 | 1,18 | 0,48 | 1,05 |
| 1" | F A21 3/4 BSP | Female 801300048 | 25 | 3/4" | G | 178,0 | 7,01 | F | 102,8 | 4,05 | C | 55,0 | 2,17 | I | 59,8 | 2,35 | E | 55,0 | 2,17 | 1,44 | 3,16 |
| | M A21 3/4 BSP | Male 801300049 | | | | | | D | 98,2 | 3,87 | B | 55,0 | 2,17 | H | 59,8 | 2,35 | J | 36,0 | 1,42 | 0,97 | 2,14 |
| 1" | F A21 1 BSP | Female 801300050 | 25 | 1" | G | 178,6 | 7,03 | F | 104,8 | 4,13 | C | 55,0 | 2,17 | I | 59,8 | 2,35 | E | 55,0 | 2,17 | 1,42 | 3,12 |
| | M A21 1 BSP | Male 801300051 | | | | | | D | 96,8 | 3,81 | B | 55,0 | 2,17 | H | 59,8 | 2,35 | J | 36,0 | 1,42 | 0,89 | 1,96 |
| 1" | F A21 1-1/4 BSP | Female 801300024 | 25 | 1 1/4" | G | 172,8 | 6,80 | F | 105,8 | 4,17 | C | 55,0 | 2,17 | I | 59,8 | 2,35 | E | 55,0 | 2,17 | 1,31 | 2,89 |
| | M A21 1-1/4 BSP | Male 801300023 | | | | | | D | 90,0 | 3,54 | B | 55,0 | 2,17 | H | 59,8 | 2,35 | J | 36,0 | 1,42 | 0,71 | 1,56 |
| 1" | F A21 1-1/2 BSP | Female 801300028 | 25 | 1 1/2" | G | 182,8 | 7,20 | F | 110,8 | 4,36 | C | 60,0 | 2,36 | I | 64,8 | 2,55 | E | 55,0 | 2,17 | 1,40 | 3,08 |
| | M A21 1-1/2 BSP | Male 801300027 | | | | | | D | 95,0 | 3,74 | B | 60,0 | 2,36 | H | 64,8 | 2,55 | J | 36,0 | 1,42 | 0,80 | 1,76 |
| 1-1/4" | F A25 1 BSP | Female 801300046 | - | 1" | G | 196,8 | 7,75 | F | 120,1 | 4,73 | C | 55,0 | 2,17 | I | 65,0 | 2,56 | E | 65,0 | 2,56 | 2,09 | 4,61 |
| | M A25 1 BSP | Male 801300047 | | | | | | D | 100,0 | 3,94 | B | 55,0 | 2,17 | H | 59,8 | 2,35 | J | 44,0 | 1,73 | 1,13 | 2,49 |
| 1-1/4" | F A25 1-1/4 BSP | Female 801300052 | - | 1 1/4" | G | 206,8 | 8,14 | F | 125,1 | 4,93 | C | 55,0 | 2,17 | I | 65,0 | 2,56 | E | 65,0 | 2,56 | 2,07 | 4,56 |
| | M A25 1-1/4 BSP | Male 801300053 | | | | | | D | 105,0 | 4,13 | B | 55,0 | 2,17 | H | 59,8 | 2,35 | J | 44,0 | 1,73 | 1,09 | 2,39 |
| 1-1/2" | F A30 1-1/4 BSP | Female 801300036* | - | 1-1/4" | G | 214,9 | 8,46 | F | 132,4 | 5,21 | C | 65,0 | 2,56 | I | 69,8 | 2,75 | E | 80,0 | 3,15 | 3,25 | 7,16 |
| | M A30 1-1/4 BSP | Male 801300037* | | | | | | D | 111,1 | 4,37 | B | 65,0 | 2,56 | H | 82,0 | 3,23 | J | 57,0 | 2,24 | 1,75 | 3,85 |
| 1-1/2" | F A30 1-1/2 BSP | Female 801300026 | - | 1 1/2" | G | 214,9 | 8,46 | F | 132,4 | 5,21 | C | 65,0 | 2,56 | I | 82,0 | 3,23 | E | 80,0 | 3,15 | 3,14 | 6,92 |
| | M A30 1-1/2 BSP | Male 801300025 | | | | | | D | 111,1 | 4,37 | B | 65,0 | 2,56 | H | 69,8 | 2,75 | J | 57,0 | 2,24 | 1,67 | 3,67 |
| 1-1/2" | F A30 2 BSP | Female 801300038 | - | 2" | G | 228,4 | 8,99 | F | 138,0 | 5,43 | C | 75,0 | 2,95 | I | 82,0 | 3,23 | E | 80,0 | 3,15 | 3,33 | 7,33 |
| | M A30 2 BSP | Male 801300039 | | | | | | D | 119,0 | 4,69 | B | 75,0 | 2,95 | H | 82,0 | 3,23 | J | 57,0 | 2,24 | 1,93 | 4,25 |

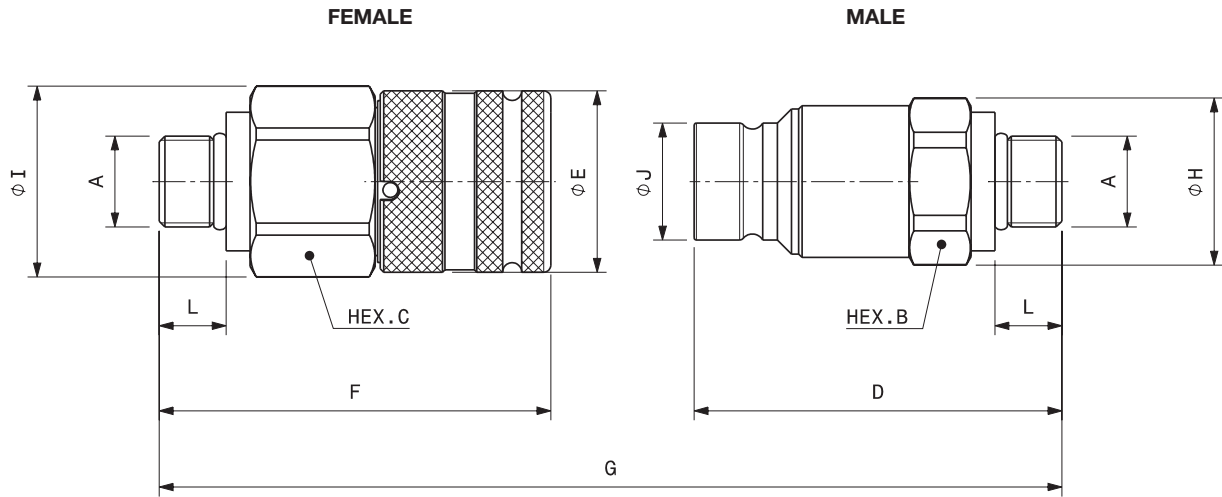
* Available upon request.



Port description: FEMALE THREAD NPT (ANSI B1.20.1)

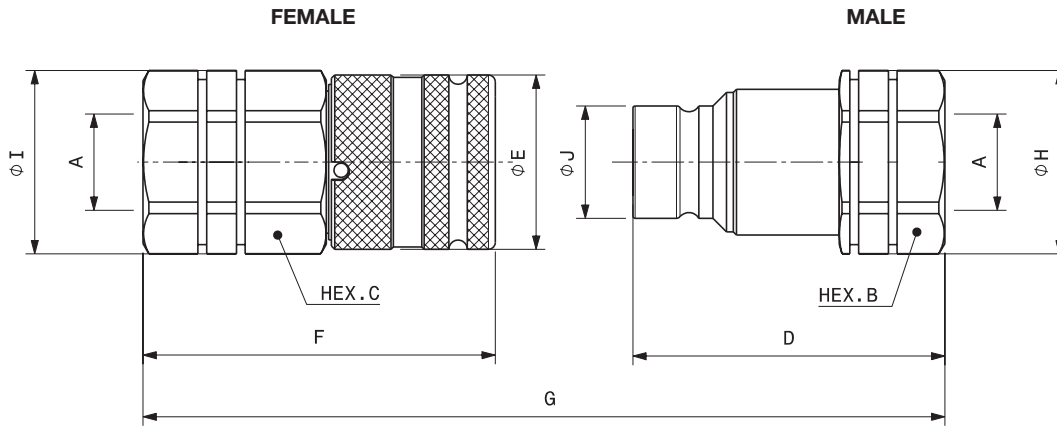
| BODY SIZE | Descriptive Code | Item Code | ISO DN | PORT (A) | Overall Length | | Length | | Hex | | Diameter | | Diameter | | Weight | | | | | | |
|-----------|------------------|--------------------|--------|----------|----------------|-------|--------|------|-------|------|----------|------|----------|------|--------|------|---|------|------|------|------|
| | | | | | mm | inch | mm | inch | mm | inch | mm | inch | mm | inch | Kg | Lbs | | | | | |
| 1/8" | F A4 1/8 NPT | Female 801301002 | | 1/8" | G | 68,4 | 2,69 | F | 40,0 | 1,57 | C | 19,0 | 0,75 | I | 20,5 | 0,81 | E | 20,0 | 0,79 | 0,07 | 0,16 |
| | M A4 1/8 NPT | Male 801301003 | | | | | | D | 36,3 | 1,43 | B | 17,0 | 0,67 | H | 18,5 | 0,73 | J | 11,6 | 0,46 | 0,04 | 0,08 |
| 1/4" | F A7 1/4 NPT | Female 801301004 | 6,3 | 1/4" | G | 90,2 | 3,55 | F | 53,1 | 2,09 | C | 27,0 | 1,06 | I | 29,0 | 1,14 | E | 28,0 | 1,10 | 0,19 | 0,41 |
| | M A7 1/4 NPT | Male 801301023 | | | | | | D | 47,9 | 1,89 | B | 22,0 | 0,87 | H | 23,8 | 0,94 | J | 16,1 | 0,63 | 0,09 | 0,19 |
| 3/8" | F A9 3/8 NPT | Female 801301006 | 10 | 3/8" | G | 108,8 | 4,28 | F | 64,8 | 2,55 | C | 30,0 | 1,18 | I | 32,0 | 1,26 | E | 32,0 | 1,26 | 0,27 | 0,60 |
| | M A9 3/8 NPT | Male 801301005 | | | | | | D | 60,0 | 2,36 | B | 27,0 | 1,06 | H | 29,0 | 1,14 | J | 19,7 | 0,78 | 0,15 | 0,33 |
| 3/8" | F A9 1/2 NPT | Female 801301008 | 10 | 1/2" | G | 116,3 | 4,58 | F | 69,8 | 2,75 | C | 30,0 | 1,18 | I | 32,0 | 1,26 | E | 32,0 | 1,26 | 0,28 | 0,61 |
| | M A9 1/2 NPT | Male 801301007 | | | | | | D | 62,5 | 2,46 | B | 27,0 | 1,06 | H | 29,0 | 1,14 | J | 19,7 | 0,78 | 0,14 | 0,30 |
| 1/2" | F A13 1/2 NPT | Female 801301010 | 12,5 | 1/2" | G | 127,5 | 5,02 | F | 76,8 | 3,02 | C | 36,0 | 1,42 | I | 40,0 | 1,57 | E | 38,0 | 1,50 | 0,45 | 1,00 |
| | M A13 1/2 NPT | Male 801301009 | | | | | | D | 68,0 | 2,68 | B | 36,0 | 1,42 | H | 40,0 | 1,57 | J | 24,5 | 0,96 | 0,30 | 1,65 |
| 1/2" | F A13 3/4 NPT | Female 801301012 | 12,5 | 3/4" | G | 137,0 | 5,39 | F | 83,8 | 3,30 | C | 36,0 | 1,42 | I | 40,0 | 1,57 | E | 38,0 | 1,50 | 0,47 | 1,03 |
| | M A13 3/4 NPT | Male 801301011 | | | | | | D | 70,5 | 2,78 | B | 36,0 | 1,42 | H | 40,0 | 1,57 | J | 24,5 | 0,96 | 0,27 | 0,60 |
| 5/8" | F A15 3/4 NPT | Female 801301014 | 16 | 3/4" | G | 139,4 | 5,49 | F | 84,0 | 3,31 | C | 41,0 | 1,61 | I | 44,8 | 1,76 | E | 42,0 | 1,65 | 0,63 | 1,39 |
| | M A15 3/4 NPT | Male 801301013 | | | | | | D | 73,0 | 2,87 | B | 36,0 | 1,42 | H | 38,5 | 1,52 | J | 27,0 | 1,06 | 0,29 | 0,64 |
| 5/8" | F A15 1 NPT | Female 801301020 | 16 | 1" | G | 145,4 | 5,72 | F | 87,0 | 3,43 | C | 41,0 | 1,61 | I | 44,8 | 1,76 | E | 42,0 | 1,65 | 0,61 | 1,33 |
| | M A15 1 NPT | Male 801301019 | | | | | | D | 76,0 | 2,99 | B | 41,0 | 1,61 | H | 44,8 | 1,76 | J | 27,0 | 1,06 | 0,34 | 0,74 |
| 3/4" | F A17 3/4 NPT | Female 801301030 | 19 | 3/4" | G | 157,5 | 6,20 | F | 95,8 | 3,77 | C | 46,0 | 1,81 | I | 49,8 | 1,96 | E | 48,0 | 1,89 | 0,96 | 2,12 |
| | M A17 3/4 NPT | Male 801301031 | | | | | | D | 83,7 | 3,30 | B | 46,0 | 1,81 | H | 49,8 | 1,96 | J | 30,0 | 1,18 | 0,54 | 1,18 |
| 3/4" | F A17 1 NPT | Female 801301000 | 19 | 1" | G | 160,5 | 6,32 | F | 98,8 | 3,89 | C | 46,0 | 1,81 | I | 49,8 | 1,96 | E | 48,0 | 1,89 | 0,93 | 2,05 |
| | M A17 1 NPT | Male 801301001 | | | | | | D | 83,7 | 3,30 | B | 46,0 | 1,81 | H | 49,8 | 1,96 | J | 30,0 | 1,18 | 0,47 | 1,04 |
| 1" | F A21 1 NPT | Female 801301028 | 25 | 1" | G | 178,6 | 7,03 | F | 104,8 | 4,13 | C | 55,0 | 2,17 | I | 59,8 | 2,35 | E | 55,0 | 2,17 | 1,43 | 3,15 |
| | M A21 1 NPT | Male 801301029 | | | | | | D | 96,8 | 3,81 | B | 55,0 | 2,17 | H | 59,8 | 2,35 | J | 36,0 | 1,42 | 0,90 | 1,98 |
| 1" | F A21 1-1/4 NPT | Female 801301016 | 25 | 1-1/4" | G | 172,8 | 6,80 | F | 105,8 | 4,17 | C | 55,0 | 2,17 | I | 59,8 | 2,35 | E | 55,0 | 2,17 | 1,31 | 2,89 |
| | M A21 1-1/4 NPT | Male 801301015 | | | | | | D | 90,0 | 3,54 | B | 55,0 | 2,17 | H | 59,8 | 2,35 | J | 36,0 | 1,42 | 0,70 | 1,54 |
| 1" | F A21 1-1/2 NPT | Female 801301026 * | 25 | 1-1/2" | G | 182,8 | 7,20 | F | 110,8 | 4,36 | C | 60,0 | 2,36 | I | 64,8 | 2,55 | E | 55,0 | 2,17 | 1,37 | 3,01 |
| | M A21 1-1/2 NPT | Male 801301027 * | | | | | | D | 95,0 | 3,74 | B | 60,0 | 2,36 | H | 64,8 | 2,55 | J | 36,0 | 1,42 | 0,75 | 1,66 |
| 1-1/4" | F A25 1 NPT | Female 801301032 * | | 1" | G | 206,8 | 8,14 | F | 125,1 | 4,93 | C | 55,0 | 2,17 | I | 65,0 | 2,56 | E | 65,0 | 2,56 | 2,09 | 4,61 |
| | M A25 1 NPT | Male 801301033 * | | | | | | D | 105,0 | 4,13 | B | 55,0 | 2,17 | H | 59,8 | 2,35 | J | 44,0 | 1,73 | 1,13 | 2,49 |
| 1-1/4" | F A25 1-1/4 NPT | Female 801301034 | | 1-1/4" | G | 206,8 | 8,14 | F | 125,1 | 4,93 | C | 55,0 | 2,17 | I | 65,0 | 2,56 | E | 65,0 | 2,56 | 2,10 | 4,63 |
| | M A25 1-1/4 NPT | Male 801301035 | | | | | | D | 105,0 | 4,13 | B | 55,0 | 2,17 | H | 59,8 | 2,35 | J | 44,0 | 1,73 | 1,11 | 2,44 |
| 1-1/2" | F A30 1-1/2 NPT | Female 801301018 | | 1-1/2" | G | 214,9 | 8,46 | F | 132,4 | 5,21 | C | 65,0 | 2,56 | I | 82,0 | 3,23 | E | 80,0 | 3,15 | 3,14 | 6,92 |
| | M A30 1-1/2 NPT | Male 801301017 | | | | | | D | 111,1 | 4,37 | B | 65,0 | 2,56 | H | 69,8 | 2,75 | J | 57,0 | 2,24 | 1,67 | 3,67 |
| 1-1/2" | F A30 2 NPT | Female 801301024 | | 2" | G | 228,4 | 8,99 | F | 138,0 | 5,43 | C | 75,0 | 2,95 | I | 82,0 | 3,23 | E | 80,0 | 3,15 | 3,25 | 7,17 |
| | M A30 2 NPT | Male 801301025 | | | | | | D | 119,0 | 4,69 | B | 75,0 | 2,95 | H | 82,0 | 3,23 | J | 57,0 | 2,24 | 1,94 | 4,28 |

* Available upon request.


Port description: MALE THREAD SAE – (ISO 11926-2 & SAE J514)

| BODY SIZE | Descriptive Code | Item Code | ISO DN | PORT (A) | Overall Length | | Length | | Hex | | Diameter | | Diameter | | Lenght | | Weight | | | | | | | |
|-----------|-------------------|-------------------|--------|--------------|----------------|-------|--------|------|------|------|----------|------|----------|------|--------|------|--------|------|------|---|------|------|------|------|
| | | | | | mm | inch | mm | inch | mm | inch | mm | inch | mm | inch | mm | inch | Kg | Lbs | | | | | | |
| 1/4" | F A7 3/8 SAE EST | Female 801304020* | 6,3 | 9/16 -18UNF | G | - | - | F | - | C | - | I | - | E | - | L | 10,0 | 0,39 | - | - | | | | |
| | M A7 3/8 SAE EST | Male 801304021* | | | | | | D | 51,9 | 2,04 | B | 22,0 | 0,87 | H | 23,8 | | | | | | 0,94 | J | 16,1 | 0,63 |
| 3/8" | F A9 3/8 SAE EST | Female 801304036* | 10 | 9/16 - 18UNF | G | - | - | F | - | C | - | I | - | E | - | L | 9,9 | 0,39 | - | - | | | | |
| | M A9 3/8 SAE EST | Male 801304037* | | | | | | D | 65,5 | 2,58 | B | 27,0 | 1,06 | H | 29,0 | | | | | | 1,14 | J | 19,7 | 0,78 |
| 3/8" | F A9 1/2 SAE EST | Female 801304032 | 10 | 3/4 - 16UNF | G | 116,8 | 4,60 | F | 68,7 | 2,70 | C | 30,0 | 1,18 | I | 32,0 | 1,26 | E | 32,0 | 1,26 | L | 11,1 | 0,44 | 0,26 | 0,57 |
| | M A9 1/2 SAE EST | Male 801304033 | | | | | | D | 64,1 | 2,52 | B | 27,0 | 1,06 | H | 29,0 | 1,14 | J | 19,7 | 0,78 | | | | | |
| 1/2" | F A13 5/8 SAE EST | Female 801304046* | 12,5 | 7/8 - 14UNF | G | - | - | F | - | C | - | I | - | E | - | L | 12,7 | 0,50 | - | - | | | | |
| | M A13 5/8 SAE EST | Male 801304047* | | | | | | D | 72,7 | 2,86 | B | 36,0 | 1,42 | H | 40,0 | | | | | | 1,57 | J | 24,5 | 0,96 |
| 5/8" | F A15 3/4 SAE EST | Female 801304022* | 16 | 1-1/16-12UN | G | 140,1 | 5,52 | F | 82,6 | 3,25 | C | 41,0 | 1,61 | I | 44,8 | 1,76 | E | 42,0 | 1,65 | L | 15,1 | 0,59 | 0,56 | 1,23 |
| | M A15 3/4 SAE EST | Male 801304023* | | | | | | D | 75,1 | 2,96 | B | 36,0 | 1,42 | H | 38,5 | 1,52 | J | 27,0 | 1,06 | | | | | |

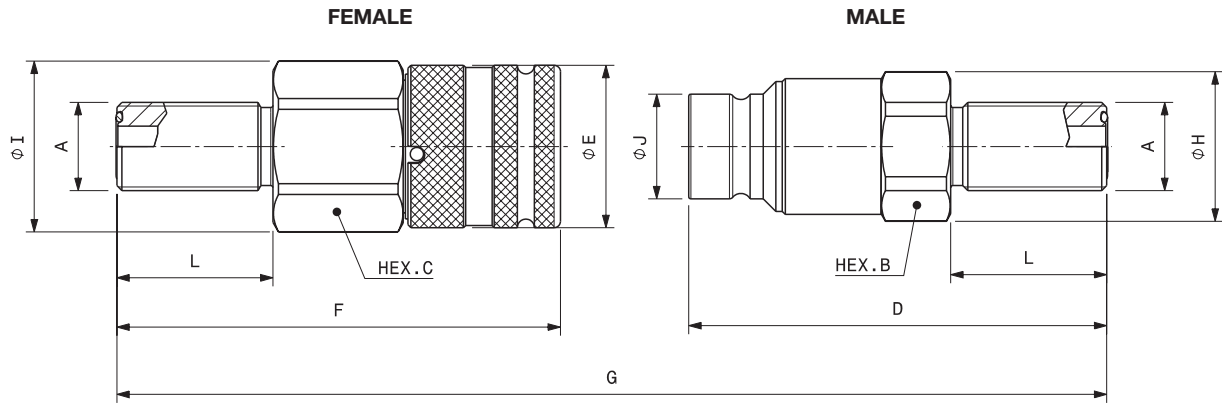
* Available upon request.



Port description: FEMALE THREAD SAE (ISO 11926-1 & SAEJ1926-1)

| BODY SIZE | Descriptive Code | Item Code | ISO DN | PORT (A) | Overall Length | | Length | | Hex | | Diameter | | Diameter | | Weight | | | | | | |
|-----------|------------------|-------------------|--------|--------------|----------------|-------|--------|------|-------|------|----------|------|----------|------|--------|------|---|------|------|------|------|
| | | | | | mm | inch | mm | inch | mm | inch | mm | inch | mm | inch | Kg | Lbs | | | | | |
| 1/8" | F A4 3/16 SAE | Female 801304002 | - | 3/8-24UNF | G | 68,4 | 2,69 | F | 40,0 | 1,57 | C | 19,0 | 0,75 | I | 20,5 | 0,81 | E | 20,0 | 0,79 | 0,08 | 0,17 |
| | M A4 3/16 SAE | Male 801304003 | | | | | | D | 36,3 | 1,43 | B | 17,0 | 0,67 | H | 18,5 | 0,73 | J | 11,6 | 0,46 | 0,04 | 0,08 |
| 1/8" | F A4 1/4 SAE | Female 801304044 | - | 7/16 - 20UNF | G | 84,3 | 3,32 | F | 44,0 | 1,73 | C | 19,0 | 0,75 | I | 20,5 | 0,81 | E | 20,0 | 0,79 | 0,08 | 0,17 |
| | M A4 1/4 SAE | Male 801304045 | | | | | | D | 40,3 | 1,59 | B | 17,0 | 0,67 | H | 18,5 | 0,73 | J | 11,6 | 0,46 | 0,04 | 0,09 |
| 1/4" | F A7 3/8 SAE | Female 801304004 | 6,3 | 9/16-18UNF | G | 96,2 | 3,79 | F | 56,1 | 2,21 | C | 27,0 | 1,06 | I | 29,0 | 1,14 | E | 28,0 | 1,10 | 0,20 | 0,44 |
| | M A7 3/8 SAE | Male 801304017 | | | | | | D | 50,9 | 2,00 | B | 22,0 | 0,87 | H | 23,8 | 0,94 | J | 16,1 | 0,63 | 0,09 | 0,20 |
| 3/8" | F A9 3/8 SAE | Female 801304006 | 10 | 9/16-18UNF | G | 108,8 | 4,28 | F | 64,8 | 2,55 | C | 30,0 | 1,18 | I | 32,0 | 1,26 | E | 32,0 | 1,26 | 0,27 | 0,60 |
| | M A9 3/8 SAE | Male 801304005 | | | | | | D | 60,0 | 2,36 | B | 27,0 | 1,06 | H | 29,0 | 1,14 | J | 19,7 | 0,78 | 0,08 | 0,19 |
| 3/8" | F A9 1/2 SAE | Female 801304008 | 10 | 3/4-16UNF | G | 116,3 | 4,58 | F | 69,8 | 2,75 | C | 30,0 | 1,18 | I | 32,0 | 1,26 | E | 32,0 | 1,26 | 0,29 | 0,63 |
| | M A9 1/2 SAE | Male 801304007 | | | | | | D | 62,5 | 2,46 | B | 27,0 | 1,06 | H | 29,0 | 1,14 | J | 19,7 | 0,78 | 0,15 | 0,32 |
| 3/8" | F A9 5/8 SAE | Female 801304030 | 10 | 7/8-14UNF | G | 121,3 | 4,78 | F | 71,8 | 2,83 | C | 30,0 | 1,18 | I | 32,0 | 1,26 | E | 32,0 | 1,26 | 0,28 | 0,61 |
| | M A9 5/8 SAE | Male 801304031 | | | | | | D | 65,5 | 2,58 | B | 30,0 | 1,18 | H | 32,0 | 1,26 | J | 19,7 | 0,78 | 0,17 | 0,36 |
| 1/2" | F A13 5/8 SAE | Female 801304024 | 12,5 | 7/8-14UNF | G | 131,5 | 5,18 | F | 78,8 | 3,10 | C | 36,0 | 1,42 | I | 40,0 | 1,57 | E | 38,0 | 1,50 | 0,46 | 1,01 |
| | M A13 5/8 SAE | Male 801304025 | | | | | | D | 70,0 | 2,76 | B | 36,0 | 1,42 | H | 40,0 | 1,57 | J | 24,5 | 0,96 | 0,29 | 0,65 |
| 1/2" | F A13 3/4 SAE | Female 801304010 | 12,5 | 1-1/16-12UN | G | 139,0 | 5,47 | F | 83,8 | 3,30 | C | 36,0 | 1,42 | I | 40,0 | 1,57 | E | 38,0 | 1,50 | 0,46 | 1,02 |
| | M A13 3/4 SAE | Male 801304009 | | | | | | D | 72,5 | 2,85 | B | 36,0 | 1,42 | H | 40,0 | 1,57 | J | 24,5 | 0,96 | 0,28 | 0,61 |
| 5/8" | F A15 3/4 SAE | Female 801304012 | 16 | 1-1/16-12UN | G | 139,4 | 5,49 | F | 84,0 | 3,31 | C | 41,0 | 1,61 | I | 44,8 | 1,76 | E | 42,0 | 1,65 | 0,63 | 1,38 |
| | M A15 3/4 SAE | Male 801304011 | | | | | | D | 73,0 | 2,87 | B | 36,0 | 1,42 | H | 38,5 | 1,52 | J | 27,0 | 1,06 | 0,30 | 0,65 |
| 3/4" | F A17 3/4 SAE | Female 801304028 | 19 | 1-1/16-12UN | G | 160,5 | 6,32 | F | 98,8 | 3,89 | C | 46,0 | 1,81 | I | 49,8 | 1,96 | E | 48,0 | 1,89 | 0,99 | 2,17 |
| | M A17 3/4 SAE | Male 801304029 | | | | | | D | 83,7 | 3,30 | B | 46,0 | 1,81 | H | 49,8 | 1,96 | J | 30,0 | 1,18 | 0,52 | 1,15 |
| 3/4" | F A17 1 SAE | Female 801304000 | 19 | 1-5/16-12UN | G | 160,5 | 6,32 | F | 98,8 | 3,89 | C | 46,0 | 1,81 | I | 49,8 | 1,96 | E | 48,0 | 1,89 | 0,93 | 2,05 |
| | M A17 1 SAE | Male 801304001 | | | | | | D | 83,7 | 3,30 | B | 46,0 | 1,81 | H | 49,8 | 1,96 | J | 30,0 | 1,18 | 0,47 | 1,03 |
| 3/4" | F A17 1-1/4 SAE | Female 801304026* | 19 | 1-5/8-12UN | G | 191,1 | 7,52 | F | 103,3 | 4,07 | C | 55,0 | 2,17 | I | 59,8 | 2,35 | E | 48,0 | 1,89 | 0,00 | 0,00 |
| | M A17 1-1/4 SAE | Male 801304027* | | | | | | D | 87,8 | 3,46 | B | 55,0 | 2,17 | H | 59,8 | 2,35 | J | 30,0 | 1,18 | 0,00 | 0,00 |
| 1" | F A21 1 SAE | Female 801304038 | 25 | 1-5/16-12UN | G | 178,6 | 7,03 | F | 104,8 | 4,13 | C | 55,0 | 2,17 | I | 59,8 | 2,35 | E | 55,0 | 2,17 | 1,42 | 3,12 |
| | M A21 1 SAE | Male 801304039 | | | | | | D | 96,8 | 3,81 | B | 55,0 | 2,17 | H | 59,8 | 2,35 | J | 36,0 | 1,42 | 0,89 | 1,96 |
| 1" | F A21 1-1/4 SAE | Female 801304014 | 25 | 1-5/8-12UN | G | 172,8 | 6,80 | F | 105,8 | 4,17 | C | 55,0 | 2,17 | I | 59,8 | 2,35 | E | 55,0 | 2,17 | 1,32 | 2,91 |
| | M A21 1-1/4 SAE | Male 801304013 | | | | | | D | 90,0 | 3,54 | B | 55,0 | 2,17 | H | 59,8 | 2,35 | J | 36,0 | 1,42 | 0,71 | 1,56 |
| 1-1/4" | F A25 1 SAE | Female 801304040* | - | 1-5/16-12UN | G | 206,8 | 8,14 | F | 125,1 | 4,93 | C | 55,0 | 2,17 | I | 65,0 | 2,56 | E | 65,0 | 2,56 | 2,09 | 4,61 |
| | M A25 1 SAE | Male 801304041* | | | | | | D | 105,0 | 4,13 | B | 55,0 | 2,17 | H | 59,8 | 2,35 | J | 44,0 | 1,73 | 1,13 | 2,49 |
| 1-1/4" | F A25 1-1/4 SAE | Female 801304042 | - | 1-5/8-12UN | G | 206,8 | 8,14 | F | 125,1 | 4,93 | C | 55,0 | 2,17 | I | 65,0 | 2,56 | E | 65,0 | 2,56 | 2,07 | 4,56 |
| | M A25 1-1/4 SAE | Male 801304043 | | | | | | D | 105,0 | 4,13 | B | 55,0 | 2,17 | H | 59,8 | 2,35 | J | 44,0 | 1,73 | 1,09 | 2,39 |
| 1-1/2" | F A30 1-1/2 SAE | Female 801304016 | - | 1-7/8-12UN | G | 214,9 | 8,46 | F | 132,4 | 5,21 | C | 65,0 | 2,56 | I | 82,0 | 3,23 | E | 80,0 | 3,15 | 3,16 | 6,97 |
| | M A30 1-1/2 SAE | Male 801304015 | | | | | | D | 111,1 | 4,37 | B | 65,0 | 2,56 | H | 69,8 | 2,75 | J | 57,0 | 2,24 | 1,66 | 3,66 |

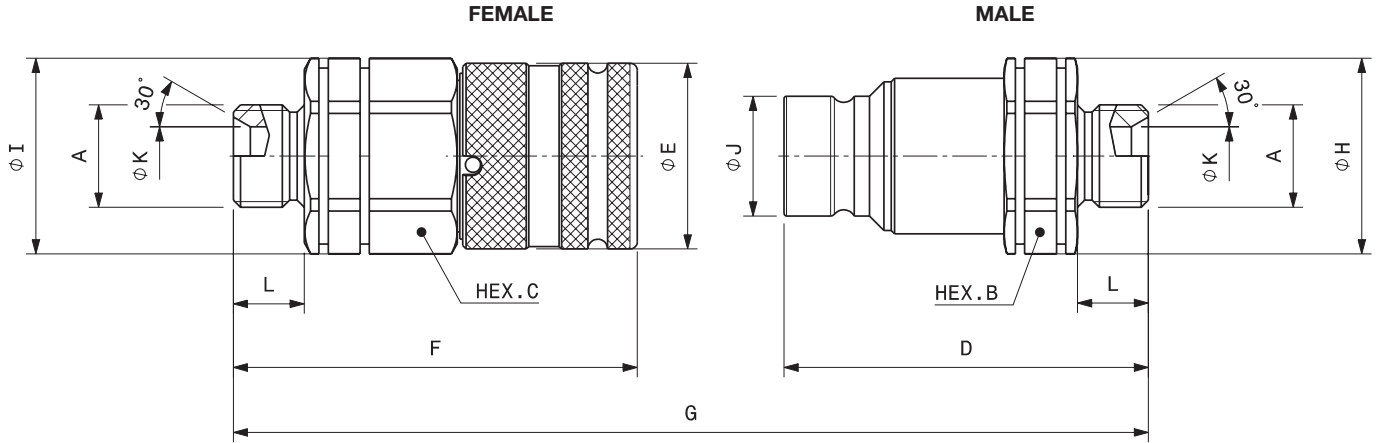
* Available upon request.



Port description: ORFS BULKHEAD (ISO 8434-3 & SAE J1453)

| BODY SIZE | Descriptive Code | Item Code | ISO DN | PORT (A) | Overall Length | Length | | Hex | | Diameter | | Diameter | | Lenght | | Weight | | | | | | | | |
|-----------|---------------------|-------------------|--------|--------------|----------------|--------|------|-----|-------|----------|------|----------|------|--------|------|--------|-----|------|------|---|------|------|------|------|
| | | | | | | mm | inch | mm | inch | mm | inch | mm | inch | mm | inch | Kg | Lbs | | | | | | | |
| 3/8" | F A9 3/8 ORFS BH | Female 801313014 | 10 | 11/16-16UN | G | 169,3 | 6,67 | F | 95,1 | 3,74 | C | 30,0 | 1,18 | I | 32,0 | 1,26 | E | 32,0 | 1,26 | L | 34,0 | 1,34 | 0,32 | 0,71 |
| | M A9 3/8 ORFS BH | Male 801313015 | | | | | | D | 90,2 | 3,55 | B | 27,0 | 1,06 | H | 29,0 | 1,14 | J | 19,7 | 0,78 | | | | | |
| 1/2" | F A13 1/2 ORFS BH | Female 801313018 | 12,5 | 13/16-16UN | G | 184,3 | 7,26 | F | 103,8 | 4,09 | C | 36,0 | 1,42 | I | 40,0 | 1,57 | E | 38,0 | 1,50 | L | 36,5 | 1,44 | 0,47 | 1,03 |
| | M A13 1/2 ORFS BH | Male 801313019 | | | | | | D | 97,8 | 3,85 | B | 32,0 | 1,26 | H | 35,0 | 1,38 | J | 24,5 | 0,96 | | | | | |
| 1/2" | F A13 5/8 ORFS BH33 | Female 801313000 | 12,5 | 1-14UNS | G | 171,7 | 6,76 | F | 96,0 | 3,78 | C | 36,0 | 1,42 | I | 40,0 | 1,57 | E | 38,0 | 1,50 | L | 33,0 | 1,30 | 0,46 | 1,02 |
| | M A13 5/8 ORFS BH33 | Male 801313001 | | | | | | D | 93,0 | 3,66 | B | 32,0 | 1,26 | H | 35,0 | 1,38 | J | 24,5 | 0,96 | | | | | |
| 1/2" | F A13 3/4 ORFS BH | Female 801313004 | 12,5 | 1-3/16-12UN | G | 189,1 | 7,44 | F | 104,7 | 4,12 | C | 36,0 | 1,26 | I | 40,0 | 1,57 | E | 38,0 | 1,50 | L | 41,7 | 1,64 | 0,52 | 2,34 |
| | M A13 3/4 ORFS BH | Male 801313005 | | | | | | D | 101,7 | 4,00 | B | 32,0 | 1,26 | H | 35,0 | 1,38 | J | 24,5 | 0,96 | | | | | |
| 1/2" | F A13 1 ORFS BH | Female 801313006 | 12,5 | 1-7/16-12UN | G | 190,1 | 7,48 | F | 105,2 | 4,14 | C | 38,0 | 1,50 | I | 42,0 | 1,65 | E | 38,0 | 1,50 | L | 42,2 | 1,66 | 0,60 | 5,16 |
| | M A13 1 ORFS BH | Male 801313007 | | | | | | D | 102,2 | 4,02 | B | 38,0 | 1,50 | H | 42,0 | 1,65 | J | 24,5 | 0,96 | | | | | |
| 5/8" | F A15 3/4 ORFS BH | Female 801313022 | 16 | 1-3/16-12UN | G | 196,4 | 7,73 | F | 111,5 | 4,39 | C | 41,0 | 1,61 | I | 44,8 | 1,76 | E | 42,0 | 1,65 | L | 41,5 | 1,63 | 0,69 | 1,52 |
| | M A15 3/4 ORFS BH | Male 801313023 | | | | | | D | 102,5 | 4,04 | B | 36,0 | 1,42 | H | 38,5 | 1,52 | J | 27,0 | 1,06 | | | | | |
| 3/4" | F A17 1 ORFS BH | Female 801313008 | 19 | 1-7/16-12UN | G | 227,7 | 8,96 | F | 132,5 | 5,22 | C | 46,0 | 1,81 | I | 49,8 | 1,96 | E | 48,0 | 1,89 | L | 42,2 | 1,66 | 1,13 | 2,48 |
| | M A17 1 ORFS BH | Male 801313009 | | | | | | D | 117,2 | 4,61 | B | 46,0 | 1,81 | H | 49,8 | 1,96 | J | 30,0 | 1,18 | | | | | |
| 1" | F A21 1-1/4 ORFS BH | Female 801313026* | 25 | 1-11/16-12UN | G | 234,8 | 9,24 | F | 133,8 | 5,27 | C | 55,0 | 2,17 | I | 59,8 | 2,35 | E | 55,0 | 2,17 | L | 42,0 | 1,65 | 1,51 | 3,32 |
| | M A21 1-1/4 ORFS BH | Male 801313027* | | | | | | D | 124,0 | 4,88 | B | 55,0 | 2,17 | H | 59,8 | 2,35 | J | 36,0 | 1,42 | | | | | |

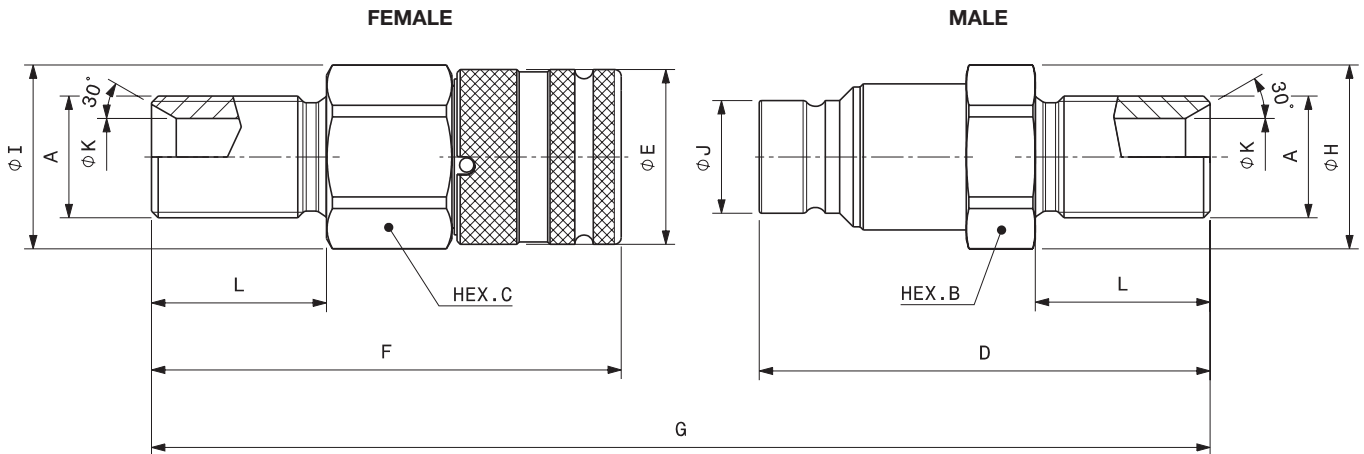
* Available upon request.



Port description: MALE THREAD BSPP (ISO 8434-6)

| BODY SIZE | Descriptive Code | Item Code | ISO DN | PORT (A) | Overall Length | Length | | Hex | | Diameter | | Diameter | | Length | | Weight | | | | | | |
|-----------|-------------------|-------------------|--------|----------|----------------|--------|------|------|------|----------|------|----------|------|--------|------|--------|------|----|------|------|------|------|
| | | | | | | mm | inch | mm | inch | mm | inch | mm | inch | mm | inch | mm | inch | Kg | Lbs | | | |
| 1/4" | F A7 1/4 BSP EST | Female 801300030 | 6,3 | 1/4" | G 95,2 | F | 53,1 | 2,09 | C | 27,0 | 1,06 | I | 29,0 | 1,14 | E | 28,0 | 1,10 | L | 11,0 | 0,43 | 0,16 | 0,34 |
| | M A7 1/4 BSP EST | Male 801300029 | | | | D | 52,9 | 2,08 | B | 22,0 | 0,87 | H | 23,8 | 0,94 | J | 16,1 | 0,63 | L | 11,0 | 0,43 | 0,08 | 0,18 |
| 3/8" | F A9 3/8 BSP EST | Female 801300010 | 10 | 3/8" | G 121,1 | F | 71,1 | 2,80 | C | 30,0 | 1,18 | I | 32,0 | 1,26 | E | 32,0 | 1,26 | L | 13,0 | 0,51 | 0,26 | 0,57 |
| | M A9 3/8 BSP EST | Male 801300009 | | | | D | 66,0 | 2,60 | B | 27,0 | 1,06 | H | 29,0 | 1,14 | J | 19,7 | 0,78 | L | 13,0 | 0,51 | 0,14 | 0,31 |
| 3/8" | F A9 1/2 BSP EST | Female 801300012 | 10 | 1/2" | G 122,6 | F | 71,1 | 2,80 | C | 30,0 | 1,18 | I | 32,0 | 1,26 | E | 32,0 | 1,26 | L | 14,5 | 0,57 | 0,26 | 0,57 |
| | M A9 1/2 BSP EST | Male 801300011 | | | | D | 67,5 | 2,66 | B | 27,0 | 1,06 | H | 29,0 | 1,14 | J | 19,7 | 0,78 | L | 14,5 | 0,57 | 0,15 | 0,33 |
| 1/2" | F A13 1/2 BSP EST | Female 801300018 | 12,5 | 1/2" | G 139,8 | F | 82,6 | 3,25 | C | 36,0 | 1,42 | I | 40,0 | 1,57 | E | 38,0 | 1,50 | L | 14,5 | 0,57 | 0,43 | 0,94 |
| | M A13 1/2 BSP EST | Male 801300017 | | | | D | 74,5 | 2,93 | B | 36,0 | 1,42 | H | 40,0 | 1,57 | J | 24,5 | 0,96 | L | 14,5 | 0,57 | 0,27 | 0,60 |
| 1/2" | F A13 3/4 BSP EST | Female 801300020* | 12,5 | 3/4" | G 143,8 | F | 84,6 | 3,33 | C | 36,0 | 1,42 | I | 40,0 | 1,57 | E | 38,0 | 1,50 | L | 16,5 | 0,65 | 0,45 | 0,98 |
| | M A13 3/4 BSP EST | Male 801300019* | | | | D | 76,5 | 3,01 | B | 36,0 | 1,42 | H | 40,0 | 1,57 | J | 24,5 | 0,96 | L | 16,5 | 0,65 | 0,29 | 0,63 |
| 5/8" | F A15 3/4 BSP EST | Female 801300032* | 16 | 3/4" | G - | F | 84,0 | 3,31 | C | 41,0 | 1,61 | I | 44,8 | 1,76 | E | 42,0 | 1,65 | L | 16,5 | 0,65 | 0,66 | 1,45 |
| | M A15 3/4 BSP EST | Male 801300033* | | | | D | - | - | B | - | - | H | - | - | J | - | - | L | 16,5 | 0,65 | - | - |

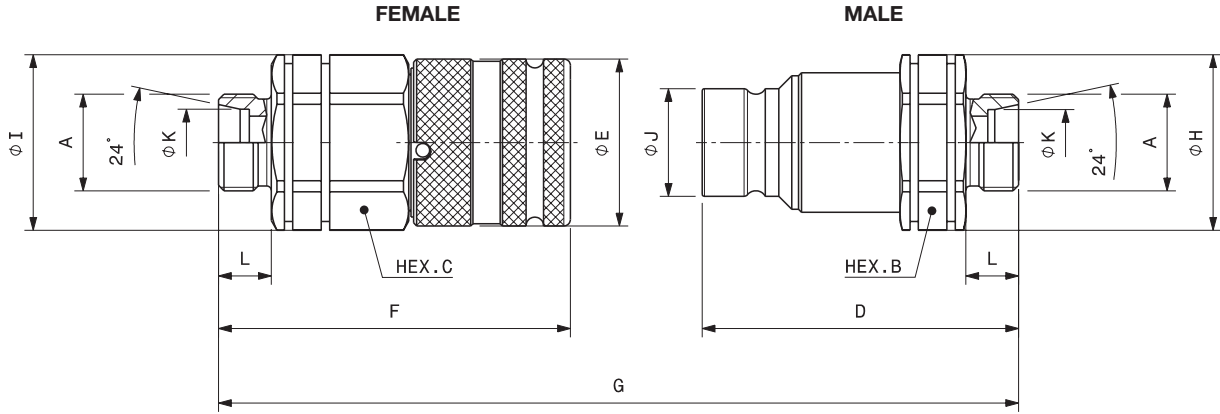
* Available upon request.



Port description: MALE THREAD BSPP scott and bulkhead (ISO 8434-6)

| BODY SIZE | Descriptive Code | Item Code | ISO DN | PORT (A) | Overall Length | Length | | Hex | | Diameter | | Diameter | | Length | | Weight | | | | | | |
|-----------|--------------------|-------------------|--------|----------|----------------|--------|-------|------|------|----------|------|----------|------|--------|------|--------|------|----|------|-------|------|------|
| | | | | | | mm | inch | mm | inch | mm | inch | mm | inch | mm | inch | mm | inch | Kg | Lbs | | | |
| 3/8" | F A9 3/8 BSP BH32 | Female 801300044 | 10 | 3/8" | G 159,1 | F | 90,1 | 3,55 | C | 30,0 | 1,18 | I | 32,0 | 1,26 | E | 32,0 | 1,26 | L | 32,0 | 32,00 | 0,29 | 0,63 |
| | M A9 3/8 BSP BH32 | Male 801300045 | | | | D | 85,0 | 3,35 | B | 27,0 | 1,06 | H | 29,0 | 1,14 | J | 19,7 | 0,78 | L | 32,0 | 32,00 | 0,16 | 0,35 |
| 3/8" | F A9 1/2 BSP BH35 | Female 801300054* | 10 | 1/2" | G 165,8 | F | 93,4 | 3,68 | C | 30,0 | 1,18 | I | 32,0 | 1,26 | E | 32,0 | 1,26 | L | 35,0 | 35,00 | 0,31 | 0,68 |
| | M A9 1/2 BSP BH35 | Male 801300055* | | | | D | 88,4 | 3,48 | B | 27,0 | 1,06 | H | 29,0 | 1,14 | J | 19,7 | 0,78 | L | 35,0 | 35,00 | 0,19 | 0,41 |
| 1/2" | F A13 3/4 BSP BH38 | Female 801300056 | 12,5 | 3/4" | G 182,8 | F | 102,1 | 4,02 | C | 36,0 | 1,42 | I | 40,0 | 1,57 | E | 38,0 | 1,50 | L | 38,0 | 38,00 | 0,46 | 1,01 |
| | M A13 3/4 BSP BH38 | Male 801300057 | | | | D | 98,0 | 3,86 | B | 36,0 | 1,42 | H | 40,0 | 1,57 | J | 24,5 | 0,96 | L | 38,0 | 38,00 | 0,33 | 0,73 |
| 3/4" | F A17 1 BSP BH41 | Female 801300058 | 19 | 1" | G 221,3 | F | 127,3 | 5,01 | C | 46,0 | 1,81 | I | 49,8 | 1,96 | E | 48,0 | 1,89 | L | 41,0 | 41,00 | 1,00 | 2,19 |
| | M A17 1 BSP BH41 | Male 801300059 | | | | D | 116,0 | 4,57 | B | 46,0 | 1,81 | H | 49,8 | 1,96 | J | 30,0 | 1,18 | L | 41,0 | 41,00 | 0,57 | 1,26 |

* Available upon request.

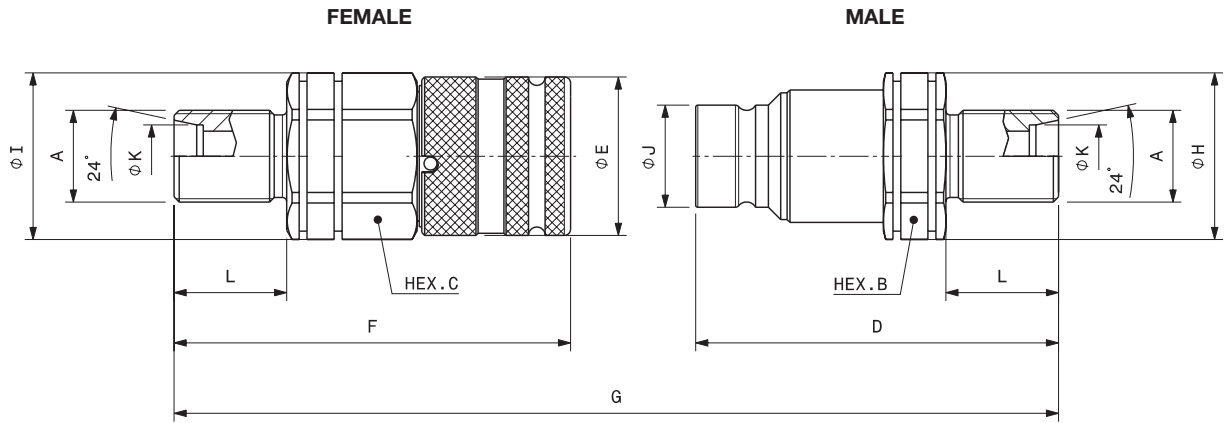


Port description: MALE THREAD L SERIES -24° CONE (ISO 8434-1 & DIN 2353)

| BODY SIZE | Descriptive Code | Item Code | ISO DN | PORT (A) | Overall Length | Length | | Hex | | Diameter | | Diameter | | Diameter | | Length | | Weight | | | | | | | | | |
|-----------|------------------|--------------------|--------|----------|----------------|--------|------|-----|-------|----------|------|----------|------|----------|------|--------|------|--------|------|----|------|------|---|-------|------|------|------|
| | | | | | | mm | inch | mm | inch | mm | inch | mm | inch | mm | inch | mm | inch | mm | inch | Kg | Lbs | | | | | | |
| 1/4" | F A7 L8 | Female 801308014 | 6,3 | M14x1,5 | G | 93,2 | 3,67 | F | 52,1 | 2,05 | C | 27,0 | 1,06 | I | 29,0 | 1,14 | E | 28,0 | 1,10 | K | 8,2 | 0,32 | L | 10,00 | 0,39 | 0,16 | 0,34 |
| | M A7 L8 | Male 801308015 | | | | | | D | 51,9 | 2,04 | B | 22,0 | 0,87 | H | 23,8 | 0,94 | J | 16,1 | 0,63 | | | | | | | | |
| 1/4" | F A7 L10 | Female 801308010 | 6,3 | M16x1,5 | G | 95,2 | 3,75 | F | 53,1 | 2,09 | C | 27,0 | 1,06 | I | 29,0 | 1,14 | E | 28,0 | 1,10 | K | 10,2 | 0,40 | L | 11,00 | 0,43 | 0,12 | 0,25 |
| | M A7 L10 | Male 801308011 | | | | | | D | 52,9 | 2,08 | B | 22,0 | 0,87 | H | 23,8 | 0,94 | J | 16,1 | 0,63 | | | | | | | | |
| 1/4" | F A7 L12 | Female 801308036 * | 6,3 | M18x1,5 | G | - | - | F | 53,1 | 2,09 | C | 27,0 | 1,06 | I | 29,0 | 1,14 | E | 28,0 | 1,10 | K | 12,2 | 0,48 | L | 11,00 | 0,43 | 0,16 | 0,34 |
| | M A7 L12 | Male 801308037 * | | | | | | D | - | - | B | - | - | H | - | - | J | - | - | | | | | | | | |
| 3/8" | F A9 L8 | Female 801308038 | 10 | M14x1,5 | G | 117,5 | 4,63 | F | 69,0 | 2,72 | C | 30,0 | 1,18 | I | 32,0 | 1,26 | E | 32,0 | 1,26 | K | 8,0 | 0,32 | L | 10,00 | 0,39 | 0,27 | 0,59 |
| | M A9 L8 | Male 801308039 | | | | | | D | 64,5 | 2,54 | B | 30,0 | 1,18 | H | 32,0 | 1,26 | J | 19,7 | 0,78 | | | | | | | | |
| 3/8" | A 9 L10 | Female 801308008 | 10 | M16x1,5 | G | 119,1 | 4,69 | F | 69,6 | 2,74 | C | 30,0 | 1,18 | I | 32,0 | 1,26 | E | 32,0 | 1,26 | K | 10,2 | 0,40 | L | 11,00 | 0,43 | 0,26 | 0,57 |
| | A 9 L10 | Male 801308009 | | | | | | D | 65,5 | 2,58 | B | 30,0 | 1,18 | H | 32,0 | 1,26 | J | 19,7 | 0,78 | | | | | | | | |
| 3/8" | A 9 L12 | Female 801308004 | 10 | M18x1,5 | G | 117,1 | 4,61 | F | 67,6 | 2,66 | C | 30,0 | 1,18 | I | 32,0 | 1,26 | E | 32,0 | 1,26 | K | 12,2 | 0,48 | L | 11,00 | 0,43 | 0,25 | 0,55 |
| | A 9 L12 | Male 801308005 | | | | | | D | 65,5 | 2,58 | B | 30,0 | 1,18 | H | 32,0 | 1,26 | J | 19,7 | 0,78 | | | | | | | | |
| 3/8" | A 9 L15 | Female 801308006 | 10 | M22x1,5 | G | 119,1 | 4,69 | F | 68,6 | 2,70 | C | 30,0 | 1,18 | I | 32,0 | 1,26 | E | 32,0 | 1,26 | K | 15,2 | 0,60 | L | 12,00 | 0,47 | 0,26 | 0,56 |
| | A 9 L15 | Male 801308007 | | | | | | D | 66,5 | 2,62 | B | 30,0 | 1,18 | H | 32,0 | 1,26 | J | 19,7 | 0,78 | | | | | | | | |
| 3/8" | F A9 L18 | Female 801308034 | 10 | M26x1,5 | G | 119,1 | 4,69 | F | 68,6 | 2,70 | C | 30,0 | 1,18 | I | 32,0 | 1,26 | E | 32,0 | 1,26 | K | 18,2 | 0,72 | L | 12,00 | 0,47 | 0,27 | 0,60 |
| | M A9 L18 | Male 801308035 | | | | | | D | 66,5 | 2,62 | B | 30,0 | 1,18 | H | 32,0 | 1,26 | J | 19,7 | 0,78 | | | | | | | | |
| 1/2" | A 13 L12 | Female 801308000 | 12,5 | M18x1,5 | G | 132,8 | 5,23 | F | 79,1 | 3,11 | C | 36,0 | 1,42 | I | 40,0 | 1,57 | E | 38,0 | 1,50 | K | 12,2 | 0,48 | L | 11,00 | 0,43 | 0,42 | 0,92 |
| | A 13 L12 | Male 801308001 | | | | | | D | 71,0 | 2,80 | B | 36,0 | 1,42 | H | 40,0 | 1,57 | J | 24,5 | 0,96 | | | | | | | | |
| 1/2" | A 13 L15 | Female 801308002 | 12,5 | M22x1,5 | G | 134,8 | 5,31 | F | 80,1 | 3,15 | C | 36,0 | 1,42 | I | 40,0 | 1,57 | E | 38,0 | 1,50 | K | 15,2 | 0,60 | L | 12,00 | 0,47 | 0,43 | 0,94 |
| | A 13 L15 | Male 801308003 | | | | | | D | 72,0 | 2,83 | B | 36,0 | 1,42 | H | 40,0 | 1,57 | J | 24,5 | 0,96 | | | | | | | | |
| 1/2" | F A13 L18 | Female 801308042 | 12,5 | M26x1,5 | G | 134,8 | 5,31 | F | 80,1 | 3,15 | C | 36,0 | 1,42 | I | 40,0 | 1,57 | E | 38,0 | 1,50 | K | 18,2 | 0,72 | L | 12,00 | 0,47 | 0,44 | 0,96 |
| | M A13 L18 | Male 801308043 | | | | | | D | 72,0 | 2,83 | B | 36,0 | 1,42 | H | 40,0 | 1,57 | J | 24,5 | 0,96 | | | | | | | | |
| 1/2" | F A13 L22 | Female 801308040 | 12,5 | M30x2 | G | 138,8 | 5,46 | F | 82,1 | 3,23 | C | 36,0 | 1,42 | I | 40,0 | 1,57 | E | 38,0 | 1,50 | K | 22,2 | 0,87 | L | 14,00 | 0,55 | 0,44 | 0,96 |
| | M A13 L22 | Male 801308041 | | | | | | D | 74,0 | 2,91 | B | 36,0 | 1,42 | H | 40,0 | 1,57 | J | 24,5 | 0,96 | | | | | | | | |
| 5/8" | F A15 L15 | Female 801308016 | 16 | M22x1,5 | G | 139,9 | 5,51 | F | 84,5 | 3,33 | C | 41,0 | 1,61 | I | 44,8 | 1,76 | E | 42,0 | 1,65 | K | 15,2 | 0,60 | L | 12,00 | 0,47 | 0,59 | 1,29 |
| | M A15 L15 | Male 801308017 | | | | | | D | 73,0 | 2,87 | B | 36,0 | 1,42 | H | 38,5 | 1,52 | J | 27,0 | 1,06 | | | | | | | | |
| 5/8" | F A15 L18 | Female 801308018 | 16 | M26x1,5 | G | 137,4 | 5,41 | F | 82,0 | 3,23 | C | 41,0 | 1,61 | I | 44,8 | 1,76 | E | 42,0 | 1,65 | K | 18,2 | 0,72 | L | 12,00 | 0,47 | 0,58 | 1,27 |
| | M A15 L18 | Male 801308019 | | | | | | D | 73,0 | 2,87 | B | 36,0 | 1,42 | H | 38,5 | 1,52 | J | 27,0 | 1,06 | | | | | | | | |
| 5/8" | F A15 L22 | Female 801308020 | 16 | M30x2 | G | 137,8 | 5,46 | F | 81,4 | 3,20 | C | 41,0 | 1,61 | I | 44,8 | 1,76 | E | 42,0 | 1,65 | K | 22,2 | 0,87 | L | 14,00 | 0,55 | 0,55 | 1,21 |
| | M A15 L22 | Male 801308021 | | | | | | D | 74,0 | 2,91 | B | 36,0 | 1,42 | H | 38,5 | 1,52 | J | 27,0 | 1,06 | | | | | | | | |
| 3/4" | F A17 L18 | Female 801308022 | 19 | M26x1,5 | G | 168,3 | 6,63 | F | 101,3 | 3,99 | C | 46,0 | 1,81 | I | 49,8 | 1,96 | E | 48,0 | 1,89 | K | 18,2 | 0,72 | L | 12,00 | 0,47 | 0,93 | 2,05 |
| | M A17 L18 | Male 801308023 | | | | | | D | 89,0 | 3,50 | B | 46,0 | 1,81 | H | 49,8 | 1,96 | J | 30,0 | 1,18 | | | | | | | | |
| 3/4" | F A17 L22 | Female 801308024 | 19 | M30x2 | G | 167,3 | 6,59 | F | 100,3 | 3,95 | C | 46,0 | 1,81 | I | 49,8 | 1,96 | E | 48,0 | 1,89 | K | 22,2 | 0,87 | L | 14,00 | 0,55 | 0,91 | 2,00 |
| | M A17 L22 | Male 801308025 | | | | | | D | 89,0 | 3,50 | B | 46,0 | 1,81 | H | 49,8 | 1,96 | J | 30,0 | 1,18 | | | | | | | | |

* Available upon request.

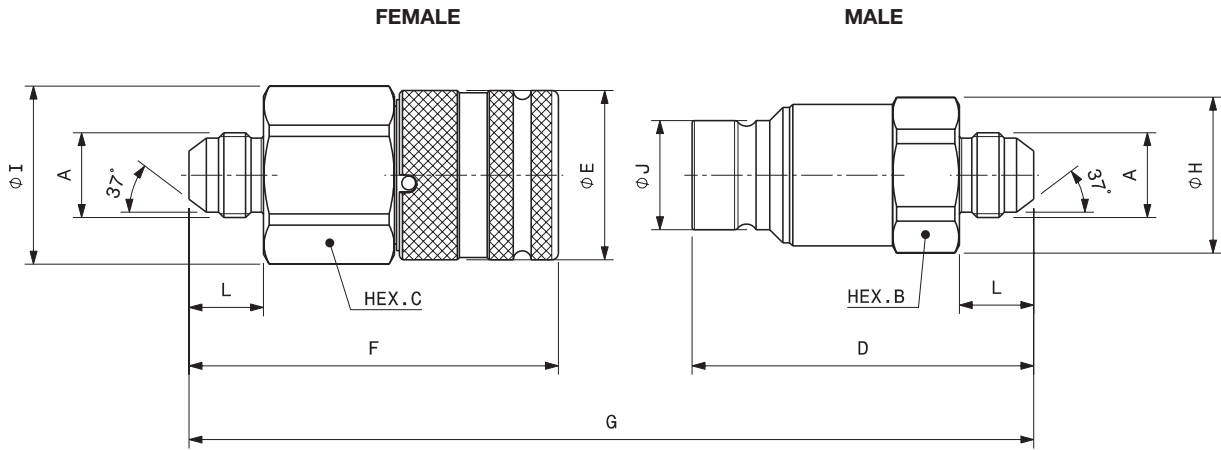
FLAT FACE



Port description: MALE THREAD L SERIES -24° CONE BULKHEAD (ISO 8434-1 & DIN 2353)

| BODY SIZE | Descriptive Code | Item Code | ISO DN | PORT (A) | Overall Length | | Length | | Hex | | Diameter | | Diameter | | Diameter | | Length | | Weight | | |
|-----------|------------------|-------------------|--------|----------|----------------|-------|--------|---------|------|--------|----------|--------|----------|--------|----------|--------|--------|--------|--------|------|------|
| | | | | | mm | inch | mm | inch | mm | inch | mm | inch | mm | inch | mm | inch | mm | inch | Kg | Lbs | |
| 1/4" | F A7 L8 SCHOTT | Female 801310014 | 6,3 | M14x1.5 | G | 123,2 | 4,85 | F 67,1 | 2,64 | C 27,0 | 1,06 | I 29,0 | 1,14 | E 28,0 | 1,10 | K 8,2 | 0,32 | L 25,0 | 0,98 | 0,17 | 0,36 |
| | M A7 L8 SCHOTT | Male 801310015 | | | | | | D 66,9 | 2,63 | B 22,0 | 0,87 | H 23,8 | 0,94 | J 16,1 | 0,63 | - | - | - | - | - | - |
| 1/4" | F A7 L10 SCHOTT | Female 801310010 | 6,3 | M16x1.5 | G | 125,2 | 4,93 | F 68,1 | 2,68 | C 27,0 | 1,06 | I 29,0 | 1,14 | E 28,0 | 1,10 | K 10,2 | 0,40 | L 26,0 | 1,02 | 0,17 | 0,37 |
| | M A7 L10 SCHOTT | Male 801310011 | | | | | | D 67,9 | 2,67 | B 22,0 | 0,87 | H 23,8 | 0,94 | J 16,1 | 0,63 | - | - | - | - | - | - |
| 3/8" | F A9 L8 SCHOTT | Female 801310040* | 10 | M14x1.5 | G | - | - | F - | - | C - | - | I - | - | E - | - | K 8,2 | 0,32 | L 25,0 | 0,98 | - | - |
| | M A9 L8 SCHOTT | Male 801310041* | | | | | | D 79,5 | 3,13 | B 30,0 | 1,18 | H 32,0 | 1,26 | J 19,7 | 0,78 | - | - | - | - | - | - |
| 3/8" | F A9 L10 SCHOTT | Female 801310008 | 10 | M16x1.5 | G | 149,1 | 5,87 | F 84,6 | 3,33 | C 30,0 | 1,18 | I 32,0 | 1,26 | E 32,0 | 1,26 | K 10,2 | 0,40 | L 26,0 | 1,02 | 0,28 | 0,61 |
| | M A9 L10 SCHOTT | Male 801310009 | | | | | | D 80,5 | 3,17 | B 30,0 | 1,18 | H 32,0 | 1,26 | J 19,7 | 0,78 | - | - | - | - | - | - |
| 3/8" | F A9 L12 SCHOTT | Female 801310004 | 10 | M18x1.5 | G | 147,1 | 5,79 | F 82,6 | 3,25 | C 30,0 | 1,18 | I 32,0 | 1,26 | E 32,0 | 1,26 | K 12,2 | 0,48 | L 26,0 | 1,02 | 0,27 | 0,59 |
| | M A9 L12 SCHOTT | Male 801310005 | | | | | | D 80,5 | 3,17 | B 30,0 | 1,18 | H 32,0 | 1,26 | J 19,7 | 0,78 | - | - | - | - | - | - |
| 3/8" | F A9 L15 SCHOTT | Female 801310006 | 10 | M22x1.5 | G | 149,1 | 5,87 | F 83,6 | 3,29 | C 30,0 | 1,18 | I 32,0 | 1,26 | E 32,0 | 1,26 | K 15,2 | 0,60 | L 27,0 | 1,06 | 0,28 | 0,62 |
| | M A9 L15 SCHOTT | Male 801310007 | | | | | | D 81,5 | 3,21 | B 30,0 | 1,18 | H 32,0 | 1,26 | J 19,7 | 0,78 | - | - | - | - | - | - |
| 3/8" | F A9 L18 SCHOTT | Female 801310036 | 10 | M26x1.5 | G | 149,1 | 5,87 | F 83,6 | 3,29 | C 30,0 | 1,18 | I 32,0 | 1,26 | E 32,0 | 1,26 | K 18,2 | 0,72 | L 27,0 | 1,06 | 0,31 | 0,67 |
| | M A9 L18 SCHOTT | Male 801310037 | | | | | | D 81,5 | 3,21 | B 30,0 | 1,18 | H 32,0 | 1,26 | J 19,7 | 0,78 | - | - | - | - | - | - |
| 1/2" | F A13 L12 SCHOTT | Female 801310000 | 12,5 | M18x1.5 | G | 162,9 | 6,41 | F 94,1 | 3,70 | C 36,0 | 1,42 | I 40,0 | 1,57 | E 38,0 | 1,50 | K 12,2 | 0,48 | L 26,0 | 1,02 | 0,44 | 0,96 |
| | M A13 L12 SCHOTT | Male 801310001 | | | | | | D 86,1 | 3,39 | B 36,0 | 1,42 | H 40,0 | 1,57 | J 24,5 | 0,96 | - | - | - | - | - | - |
| 1/2" | F A13 L15 SCHOTT | Female 801310002 | 12,5 | M22x1.5 | G | 164,9 | 6,49 | F 95,1 | 3,74 | C 36,0 | 1,42 | I 40,0 | 1,57 | E 38,0 | 1,50 | K 15,2 | 0,60 | L 27,0 | 1,06 | 0,45 | 1,00 |
| | M A13 L15 SCHOTT | Male 801310003 | | | | | | D 87,1 | 3,43 | B 36,0 | 1,42 | H 40,0 | 1,57 | J 24,5 | 0,96 | - | - | - | - | - | - |
| 1/2" | F A13 L22 SCHOTT | Female 801310034 | 12,5 | M30x2 | G | 178,8 | 7,04 | F 102,1 | 4,02 | C 36,0 | 1,42 | I 40,0 | 1,57 | E 38,0 | 1,50 | K 22,2 | 0,87 | L 34,0 | 1,34 | 0,49 | 1,07 |
| | M A13 L22 SCHOTT | Male 801310035 | | | | | | D 94,0 | 3,70 | B 36,0 | 1,42 | H 40,0 | 1,57 | J 24,5 | 0,96 | - | - | - | - | - | - |
| 1/2" | F A13 L18 SCHOTT | Female 801310038* | 12,5 | M26x1.5 | G | - | - | F 95,1 | 3,74 | C 36,0 | 1,42 | I 40,0 | 1,57 | E 38,0 | 1,50 | K 18,2 | 0,72 | L 27,0 | 1,06 | 0,48 | 1,05 |
| | M A13 L18 SCHOTT | Male 801310039* | | | | | | D - | - | B - | - | H - | - | J - | - | - | - | - | - | - | - |
| 5/8" | F A15 L18 SCHOTT | Female 801310018 | 16 | M26x1.5 | G | 167,8 | 6,65 | F 97,5 | 3,84 | C 41,0 | 1,61 | I 44,8 | 1,76 | E 42,0 | 1,65 | K 18,2 | 0,72 | L 27,0 | 1,06 | 0,62 | 1,36 |
| | M A15 L18 SCHOTT | Male 801310019 | | | | | | D 87,9 | 3,46 | B 36,0 | 1,42 | H 38,5 | 1,52 | J 27,0 | 1,06 | - | - | - | - | - | - |
| 5/8" | F A15 L22 SCHOTT | Female 801310020* | 16 | M30x2 | G | - | - | F - | - | C - | - | I - | - | E - | - | K 22,2 | 0,87 | L 34,0 | 1,34 | - | - |
| | M A15 L22 SCHOTT | Male 801310021* | | | | | | D 94,0 | 3,70 | B 36,0 | 1,42 | H 38,5 | 1,52 | J 27,0 | 1,06 | - | - | - | - | - | - |
| 3/4" | F A17 L18 SCHOTT | Female 801310022 | 19 | M26x1.5 | G | 197,7 | 7,78 | F 116,3 | 4,58 | C 46,0 | 1,81 | I 49,8 | 1,96 | E 48,0 | 1,89 | K 18,2 | 0,72 | L 27,0 | 1,06 | 0,98 | 2,16 |
| | M A17 L18 SCHOTT | Male 801310023 | | | | | | D 103,4 | 4,09 | B 46,0 | 1,81 | H 49,8 | 1,96 | J 30,0 | 1,18 | - | - | - | - | - | - |
| 3/4" | F A17 L22 SCHOTT | Female 801310024 | 19 | M30x2 | G | 202,2 | 7,96 | F 120,3 | 4,74 | C 46,0 | 1,81 | I 49,8 | 1,96 | E 48,0 | 1,89 | K 22,2 | 0,87 | L 34,0 | 1,34 | 0,97 | 2,13 |
| | M A17 L22 SCHOTT | Male 801310025 | | | | | | D 103,9 | 4,29 | B 46,0 | 1,81 | H 49,8 | 1,96 | J 30,0 | 1,18 | - | - | - | - | - | - |
| 1" | F A21 L22 SCHOTT | Female 801310026* | 25 | M30x2 | G | - | - | F - | - | C - | - | I - | - | E - | - | K 22,2 | 0,87 | L 34,0 | 1,34 | - | - |
| | M A21 L22 SCHOTT | Male 801310027* | | | | | | D 120,4 | 4,74 | B 55,0 | 2,17 | H 59,8 | 2,35 | J 36,0 | 1,42 | - | - | - | - | - | - |
| 1" | F A21 L28 SCHOTT | Female 801310028* | 25 | M36x2 | G | - | - | F 125,8 | 4,95 | C 55,0 | 2,17 | I 59,8 | 2,35 | E 55,0 | 2,17 | K 28,2 | 1,11 | L 34,0 | 1,34 | 1,38 | 3,04 |
| | M A21 L28 SCHOTT | Male 801310029* | | | | | | D - | - | B - | - | H - | - | J - | - | - | - | - | - | - | - |

* Available upon request.



Port description: MALE THREAD JIC - (ISO 8434-2 & SAE J514)

| BODY SIZE | Descriptive Code | Item Code | ISO DN | PORT (A) | Overall Length | Length | | Hex | | | Diameter | | Diameter | | Lenght | | Weight | | | | | | | |
|-----------|------------------|-------------------|--------|-------------|----------------|--------|------|-----|------|------|----------|------|----------|----|--------|------|--------|------|------|---|------|------|------|------|
| | | | | | | mm | inch | mm | inch | mm | inch | mm | inch | mm | inch | mm | inch | Kg | Lbs | | | | | |
| 3/8" | F A9 5/8 JIC | Female 801306000* | 10 | 7/8 -14UNF | G | 132,2 | 5,20 | F | 75,9 | 2,99 | C | 30,0 | 1,18 | I | 32,0 | 1,26 | E | 32,0 | 1,26 | L | 19,3 | 0,76 | 0,28 | 0,61 |
| | M A9 5/8 JIC | Male 801306001* | | | | | | D | 72,3 | 2,85 | B | 27,0 | 1,06 | H | 29,0 | 1,14 | J | 19,7 | 0,78 | | | 0,16 | 0,35 | |
| 3/8" | F A9 3/8 JIC | Female 801306002* | 10 | 9/16 -18UNF | G | 127,1 | 5,00 | F | 74,1 | 2,92 | C | 30,0 | 1,18 | I | 32,0 | 1,26 | E | 32,0 | 1,26 | L | 14,1 | 0,56 | 0,27 | 0,60 |
| | M A9 3/8 JIC | Male 801306003* | | | | | | D | 69,0 | 2,72 | B | 27,0 | 1,06 | H | 29,0 | 1,14 | J | 19,7 | 0,78 | | | 0,15 | 0,32 | |
| 3/8" | F A9 1/2 JIC | Female 801306004 | 10 | 3/4 -16UNF | G | 128,0 | 5,04 | F | 74,3 | 2,93 | C | 30,0 | 1,18 | I | 32,0 | 1,26 | E | 32,0 | 1,26 | L | 16,7 | 0,66 | 0,26 | 0,57 |
| | M A9 1/2 JIC | Male 801306005 | | | | | | D | 69,7 | 2,74 | B | 27,0 | 1,06 | H | 29,0 | 1,14 | J | 19,7 | 0,78 | | | 0,15 | 0,32 | |
| 1/2" | F A13 7/8 JIC | Female 801306006 | 12,5 | 1-3/16-12UN | G | 156,0 | 6,14 | F | 90,7 | 3,57 | C | 36,0 | 1,42 | I | 40,0 | 1,57 | E | 38,0 | 1,50 | L | 22,6 | 0,89 | 0,42 | 0,93 |
| | M A13 7/8 JIC | Male 801306007 | | | | | | D | 82,6 | 3,25 | B | 36,0 | 1,42 | H | 40,0 | 1,57 | J | 24,5 | 0,96 | | | 0,28 | 0,62 | |
| 1/2" | F A13 1 JIC | Female 801306008* | 12,5 | 1-5/16-12UN | G | 157,0 | 6,18 | F | 91,2 | 3,59 | C | 36,0 | 1,42 | I | 40,0 | 1,57 | E | 38,0 | 1,50 | L | 23,1 | 0,91 | 0,41 | 0,91 |
| | M A13 1 JIC | Male 801306009* | | | | | | D | 83,1 | 3,27 | B | 36,0 | 1,42 | H | 40,0 | 1,57 | J | 24,5 | 0,96 | | | 0,33 | 0,72 | |
| 1/2" | F A13 3/4 JIC | Female 801306012 | 12,5 | 1-1/16-12UN | G | 154,6 | 6,09 | F | 90,0 | 3,54 | C | 36,0 | 1,42 | I | 40,0 | 1,57 | E | 38,0 | 1,50 | L | 21,9 | 0,86 | 0,41 | 0,90 |
| | M A13 3/4 JIC | Male 801306013 | | | | | | D | 81,9 | 3,22 | B | 36,0 | 1,42 | H | 40,0 | 1,57 | J | 24,5 | 0,96 | | | 0,28 | 0,61 | |
| 1/2" | F A13 5/8 JIC | Female 801306018* | 12,5 | 7/8 -14UNF | G | - | - | F | - | - | C | - | - | I | - | - | E | - | - | L | 19,3 | 0,76 | - | - |
| | M A13 5/8 JIC | Male 801306019* | | | | | | D | 79,3 | 3,12 | B | 36,0 | 1,42 | H | 35,0 | 1,38 | J | 24,5 | 0,96 | | | 0,26 | 0,57 | |
| 5/8" | F A15 1 JIC | Female 801306020* | 16 | 1-5/16-12UN | G | 150,0 | 5,91 | F | 84,5 | 3,33 | C | 41,0 | 1,61 | I | 44,8 | 1,76 | E | 42,0 | 1,65 | L | 23,1 | 0,91 | 0,54 | 1,18 |
| | M A15 1 JIC | Male 801306021* | | | | | | D | 83,1 | 3,27 | B | 36,0 | 1,42 | H | 38,5 | 1,52 | J | 27,0 | 1,06 | | | 0,32 | 0,69 | |

* Available upon request.

Zinc Nickel version

A Series is available upon request also in Zinc Nickel version.

The Zinc Nickel plating ensures high resistance to corrosion and it is ideal for hydraulic equipment applications where an improved corrosion resistance is necessary.

For specific codes, configuration or any other information, please contact Stucchi Technical Support.

While maintaining the same interchangeability, the shape differs from the A series in Cr3 due to the addition of the groove for the cap lanyard and in some cases the dimensions may also be different. Request the drawing with overall dimensions.

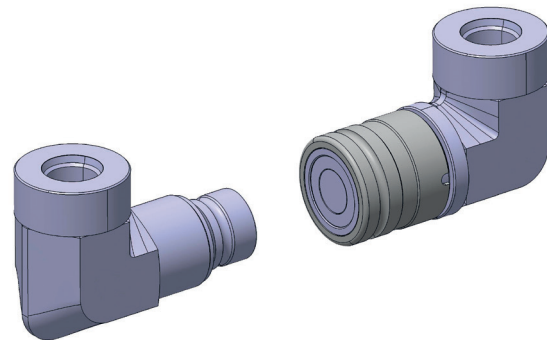


90° version

A Series is available upon request also in special configuration with 90° fitting.

This version is ideal for applications with less space that requires a compact design and it guarantees the correct bending of the hose.

For specific codes, configuration or any other information, please contact Stucchi Technical Support.



Panel mounting

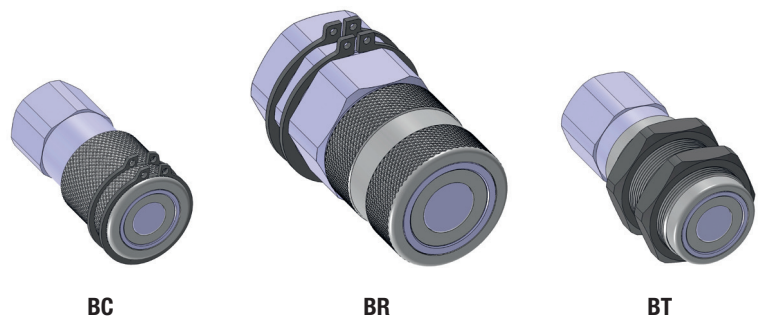
A Series is available upon request also as panel mounting version.

BC: Snap Ring Solution
Grooves on the male body and on the female sleeve.

BR: Snap Ring Solution
Grooves on the male adaptor and on the female adaptor.

BT: Lock Ring Solution
Thread on the male body and female body.

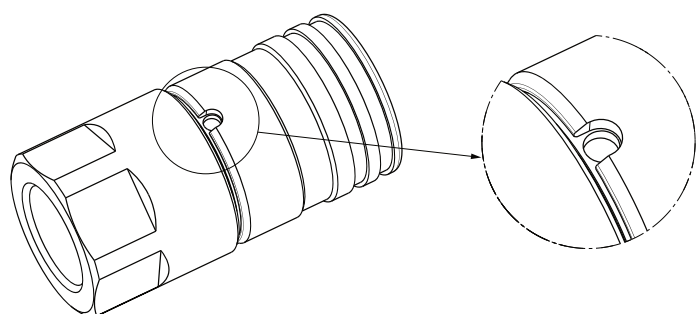
For specific codes, dimensions or any other information, please contact Stucchi Technical Support.



SS version

For specific cases, A Series is available upon request without the safety lock ball.

For additional information, please contact Stucchi Technical Support.

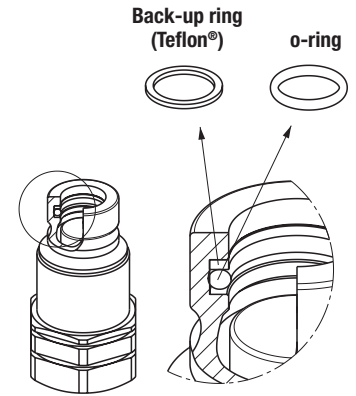




SPARE KIT SEAL FOR MALE

| Repair kit / OR+BK | | |
|--------------------|-------------|-------------|
| Body Size | Description | Part Number |
| 1/4" | M A7 | 815700519 |
| 3/8" | M A9 | 815700337 |
| 1/2" | M A13 | 815700339 |
| 5/8" | M A15 | 815700341 |
| 3/4" | M A17 | 815700343 |
| 1" | M A21 | 815700345 |
| 1 1/4" | M A25 | 815700693 |
| 1 1/2" | M A30 | 815700521 |

O-Ring in Nitrile
BackUp in Teflon®

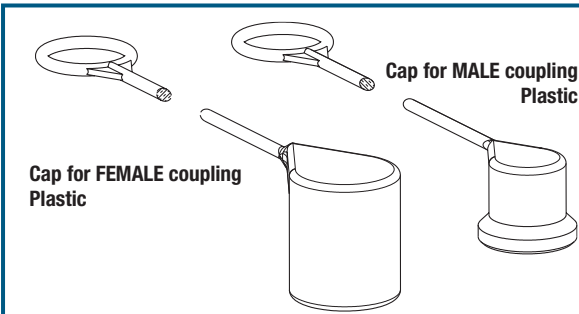


PROTECTIVE CAPS FOR A SERIES

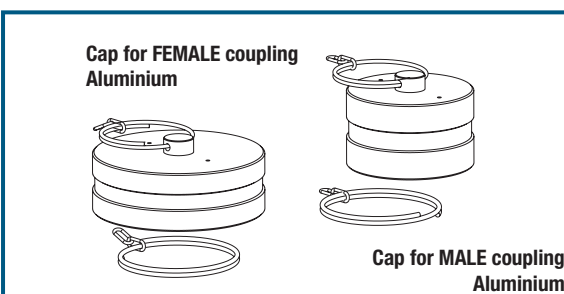
Protective caps are always recommended to protect the couplings from damage, dirt inclusion, and will increase the product life. This is particularly important in mobile applications where exposure to weather and aggregate materials are common.

For the A series are available three kind of materials:

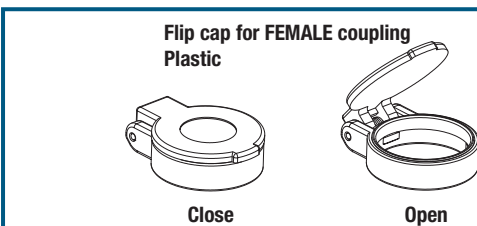
- plastic caps complete with lanyard (standard color: red, other colors available upon request)
- aluminum caps complete with lanyard (standard colors: natural aluminum, other colors available upon request)
- plastic caps, clip system (standard color: red, other colors available upon request)



| Body Size/Description | | Protective Cap | | Material/Color |
|-----------------------|-----|----------------|--------------|----------------|
| | | Cap for Female | Cap for Male | |
| 1/4" | A7 | 815100000 | 815100023 | Plastic/Red |
| 3/8" | A9 | 815100002 | 815100027 | Plastic/Red |
| 1/2" | A13 | 815100006 | 815100031 | Plastic/Red |
| 5/8" | A15 | 815100008 | 815100011 | Plastic/Red |
| 3/4" | A17 | 815100010 | 815100013 | Plastic/Red |
| 1" | A21 | 815100012 | 815100015 | Plastic/Red |



| Body Size/Description | | Protective Cap | | Material/Color |
|-----------------------|-----|----------------|--------------|------------------|
| | | Cap for Female | Cap for Male | |
| 1/4" | A7 | 816005002 | 816005003 | Aluminum/Natural |
| 3/8" | A9 | 816005004 | 816005005 | Aluminum/Natural |
| 1/2" | A13 | 816005006 | 816005007 | Aluminum/Natural |
| 3/4" | A17 | 816005010 | 816005011 | Aluminum/Natural |
| 1" | A21 | 816005012 | 816005013 | Aluminum/Natural |
| 1 1/4" | A25 | 815205020 | 815205021 | Aluminum/Natural |
| 1 1/2" | A30 | 815105014 | 815105017 | Aluminum/Natural |



| Body Size/Description | | Protective Cap | | Material/Color |
|-----------------------|-------|----------------|--|----------------|
| | | Cap for Female | | |
| 3/8" | F A9 | 815200002 | | Plastic/Red |
| 1/2" | F A13 | 815200004 | | Plastic/Red |
| 5/8" | F A15 | 815200006 | | Plastic/Red |
| 3/4" | F A17 | 815200008 | | Plastic/Red |